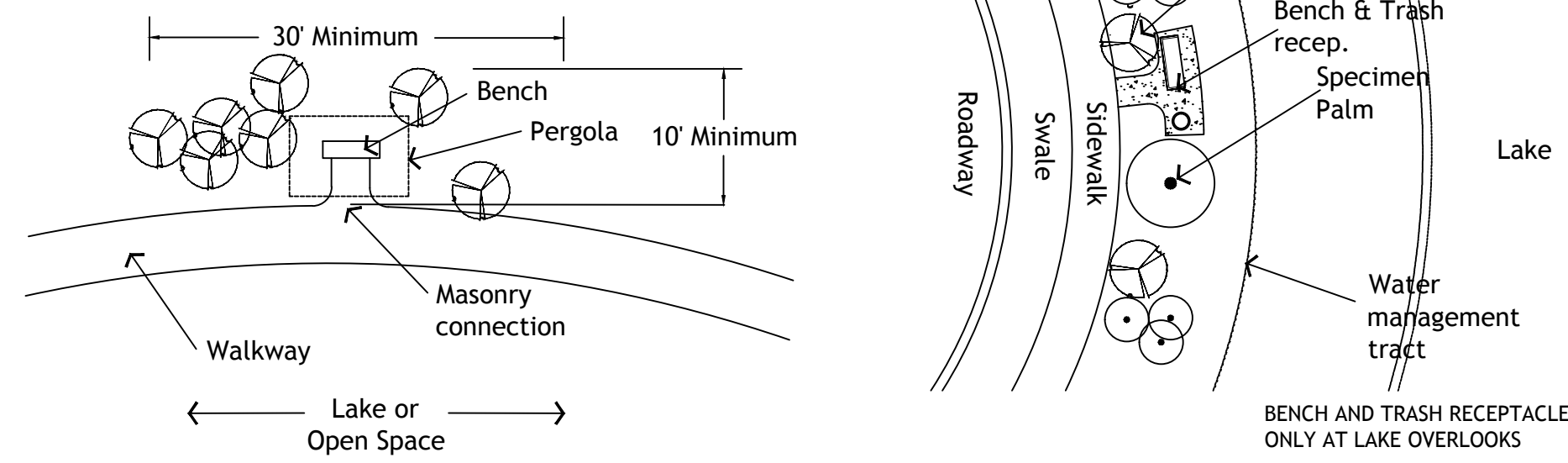


- Limit of each area may vary but shall not be less than 10' in depth as measured from edge of walkway nor less than 30' as measured along the walkway.

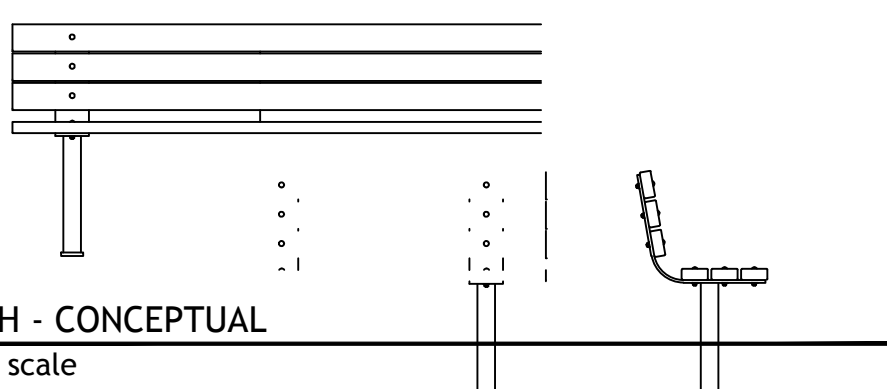
- Each area shall contain a minimum planting palette as such:  
 3 Palm Trees (12' ht.)  
 2 Flowering trees (12' ht.)  
 2 Shade trees (12' ht.)  
 50 shrubs (18' ht.)  
 100 ground cover (6' ht.)



PEDESTRIAN AMENITY - CONCEPTUAL  
Not to scale

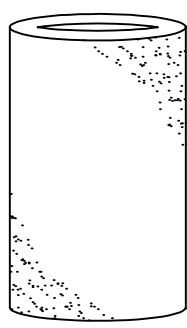
SPINE ROAD FOCAL POINT / LAKE OVERLOOK  
Not to scale

General Bench criteria:  
 - 6' minimum length  
 - material may be steel, wood or plastic  
 - design shall be coordinated with other common area elements  
 - may provide back support  
 - shall be installed in accordance with manufacturers and/or local codes and standards as conditions warrant  
 - style and materials shall be the choice of the owner



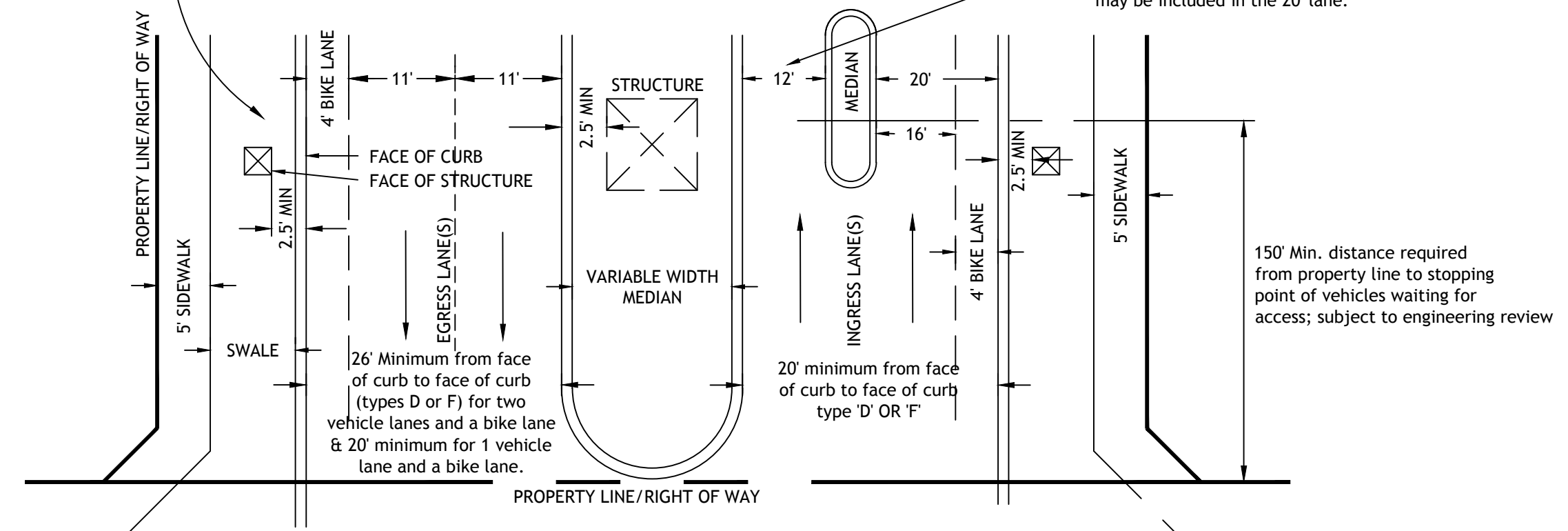
BENCH - CONCEPTUAL  
Not to scale

General Trash Receptacle criteria:  
 - shall have a removable liner  
 - may be constructed of steel, wood, compoPOD materials or any other durable material  
 - style and materials shall be the choice of the owner  
 - design shall be coordinated with other common area elements



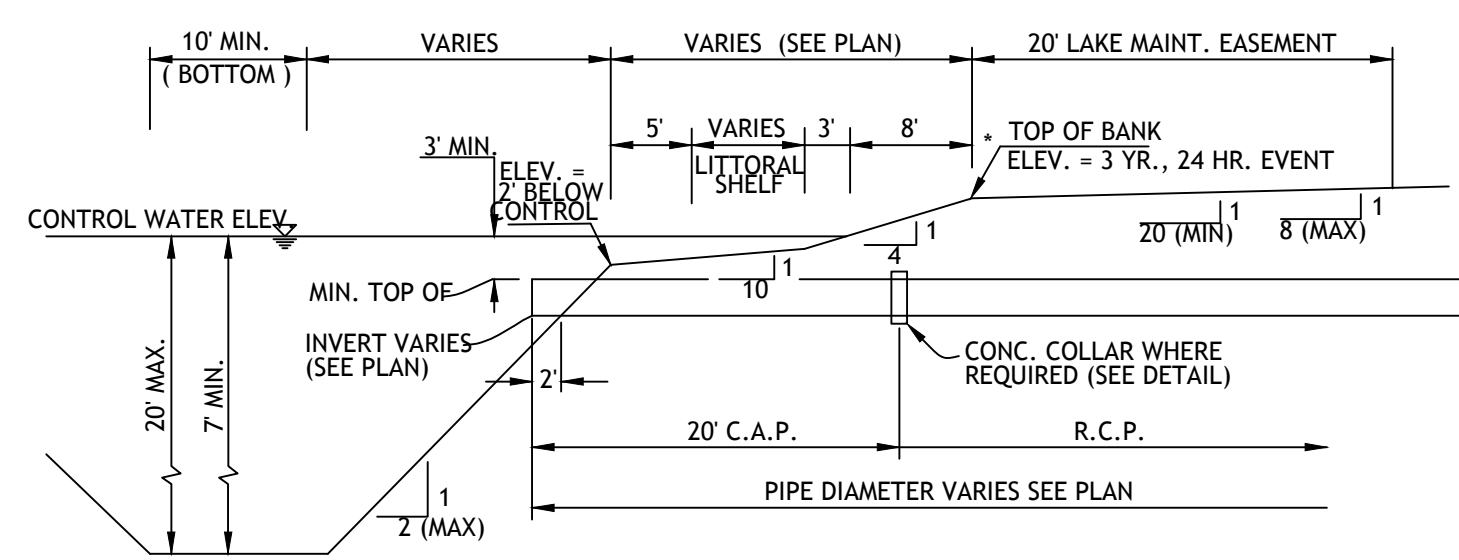
TRASH RECEPTACLE - CONCEPTUAL  
Not to scale

2.5' minimum setback from face of curb to any structure or obstruction (ie; guardhouse, card reader, gate column, telephone, etc.). This measurement is for vertical (non-mountable - type 'D' and 'F') curbs; the use of mountable curbs or valley gutters requires a 6' minimum setback from edge of pavement to any structure. Exceptions are break-away bases for card readers and telephones and are subject to approval by the palm beach county fire marshal and engineering department. Structures above 13'-6", measured vertically from the edge of pavement, may encroach the minimum setback.



Project Entry Intersecting Roadway - Typical

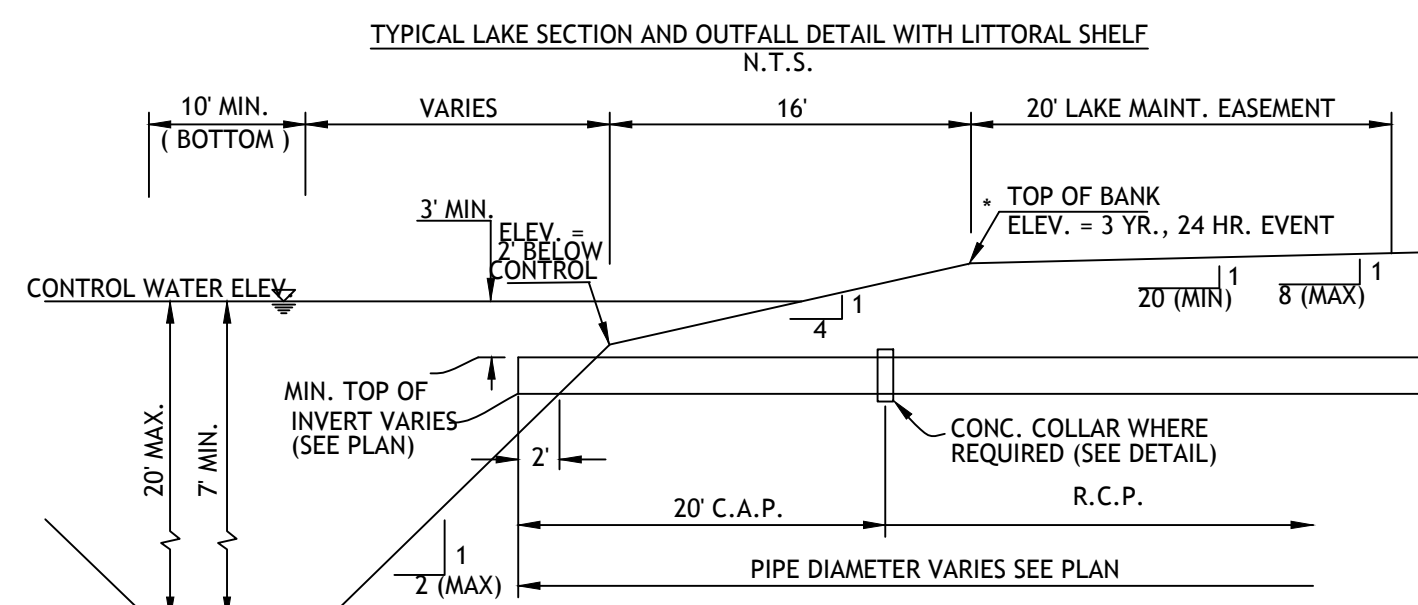
N.T.S.



Note:  
 Lake cross sections are for illustrative purposes only; the PRELIMINARY design shall be determined by the project engineer.

NOTES:

- LAKE BANKS TO BE REGRADED TO THE ABOVE TYPICAL SECTION AND PLANTED LITTORAL SHELVES TO BE REPLANTED WHERE FINISHED LAKE AREAS ARE DISTURBED BY OUTFALL INSTALLATION OR CONSTRUCTION.
- \* 3 YEAR, 24 HOUR STORM EVENT ELEVATION.



NOTES:

- LAKE BANKS TO BE REGRADED TO THE ABOVE TYPICAL SECTION WHERE FINISHED LAKE AREAS ARE DISTURBED BY OUTFALL INSTALLATION OR CONSTRUCTION.
- \* 3 YEAR, 24 HOUR STORM EVENT ELEVATION.

TYPICAL LAKE SECTIONS  
Not to scale

General Notes

Lake Fountains:

- Fountain locations are conceptual and may be positioned anywhere within the same lake.

FPL Conflicts:

- If overhead power lines exist within an easement the Landscape Plan shall employ FPL's design criteria within the Landscape Buffer adjacent thereto.

Pines and Palms:

- Pines and or palms, planted in groups of three may be substituted for one required canopy tree. Pines and or palms may not be used in excess of 25 percent of the total number of required canopy trees. When using pines or palms in a perimeter buffer Article 7.F.2.A.3 Pines. [Ord. 2014-025] shall be referred to.

Plant and Tree Specifications:

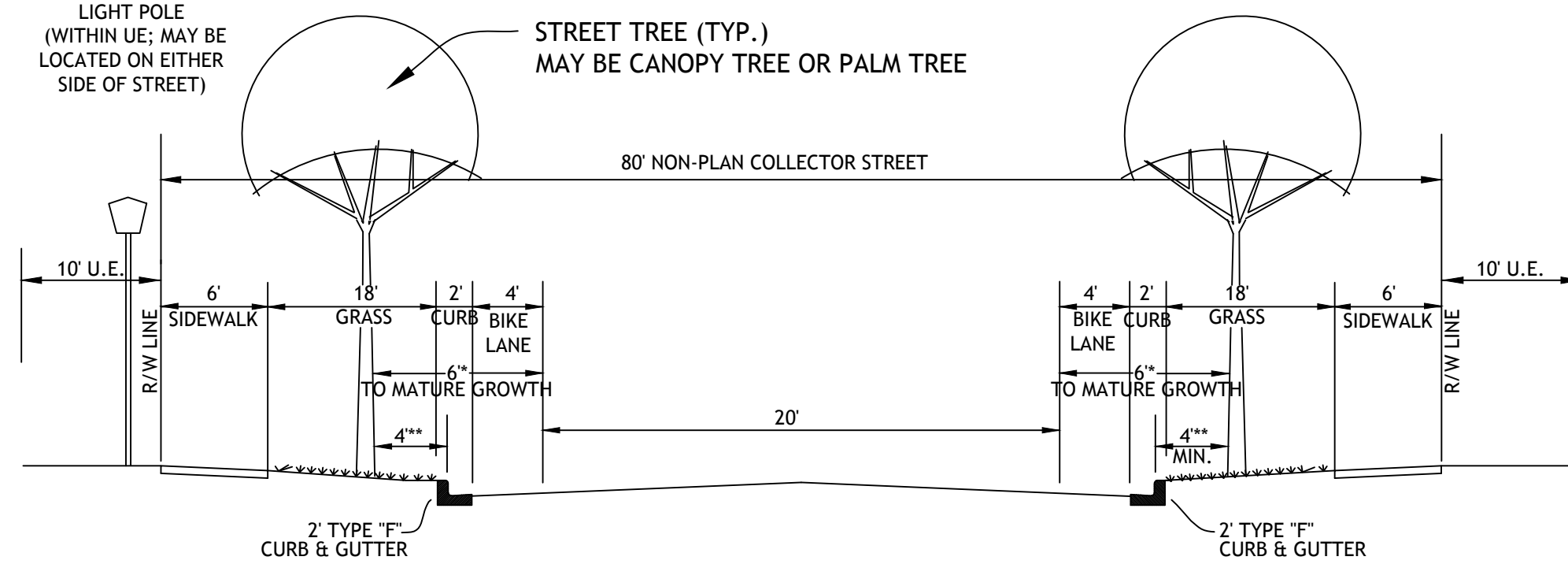
- Canopy Trees: 12' min. ht. x 8' min. spread x 2.5" min. caliper
- Shade Trees: 12' min. ht. x 8' min. spread x 2.5" min. caliper
- Palm Clusters: staggered heights of 12', 14' & 16' minimum overall heights with 8' min. gray wood or clear trunk.
- Single Palms: 12' min. w/ 6' min. gray wood
- Pines: 12' min. ht. x 8' min. spread
- Accent / Under-story Trees : 6' min. ht. x 4' min. spread

Compatibility and incompatibility buffers:

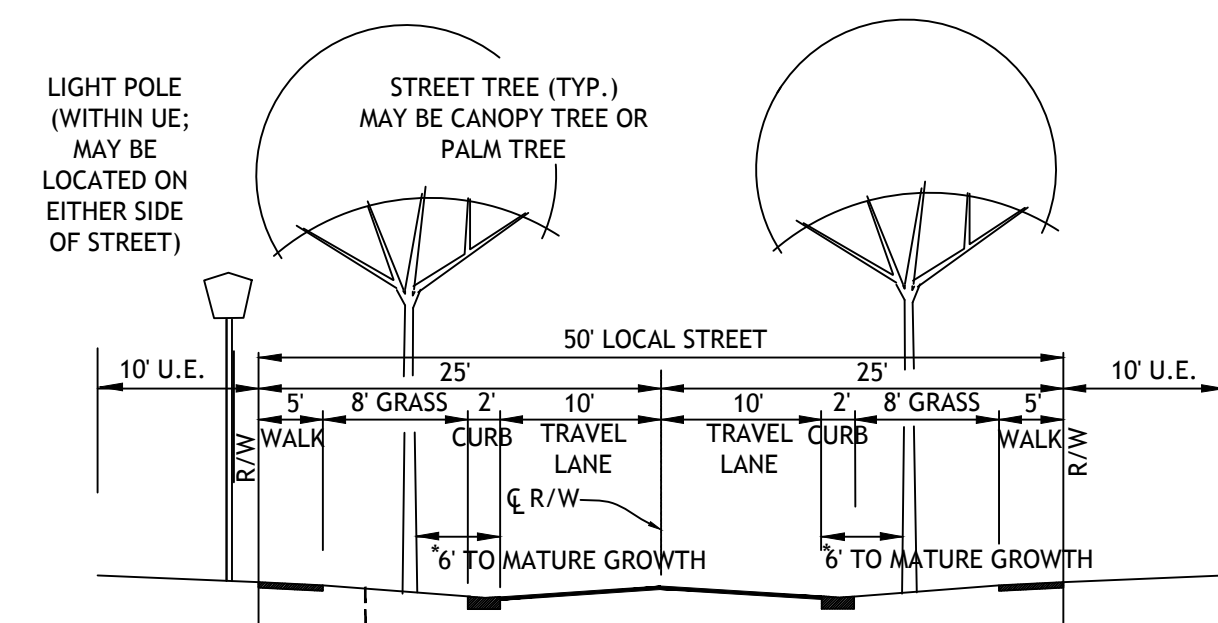
- Hedges may be used in place of required shrubs in compatibility and incompatibility buffers.
- Hedges, in combination with a berm, shall be installed in a manner that provides the minimum height required for continuous solid screen at time of planting.
- A hedge may be used in place of required shrubs if it provides a continuous solid opaque screen at the time of planting - see ULDC 7.f.2.c.

Perimeter buffers:

- Perimeter buffer planting may be installed in phases; buffers within or adjacent to pods will be installed prior to the first CO for a unit within the same pod.

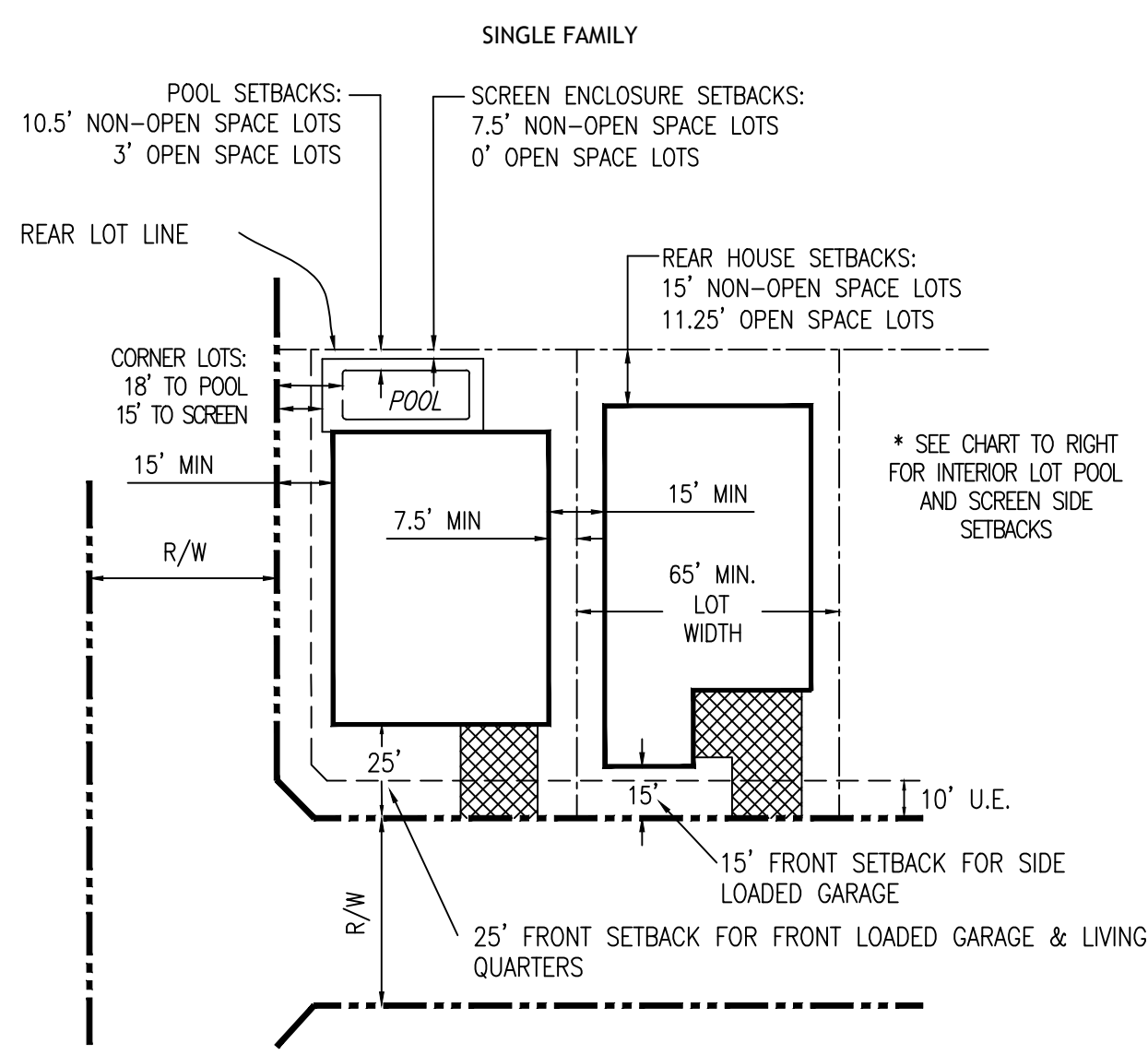


80' RIGHT OF WAY - TYPICAL WITHIN PODS  
Not to scale



50' RIGHT OF WAY - TYPICAL  
Not to scale

PROPERTY DEVELOPMENT REGULATIONS - Required / Proposed								
Proposed Zoning District	Minimum Lot Dimensions				Building Coverage	Setbacks/Separations		
	Size	Width	Depth	Height		Front	Side	Rear
RR 1.25 PUD								
PUD - RR 1.25	8,450	65'	130	35'	40%	25' - front loading garage 15' - side loading garage or unit	7.5'	15'
Recreation Pod	N/A	65'	75'	N/A	30%	25'	15'	25'
Civic - Public	0.5 Acre	100'	100'	N/A	30%	25'	20'	25'
Civic - Private	1.5 Acres	100'	200'	N/A	30%	25'	20'	25'
Commercial	1 Acre	100'	200'	N/A	25%	30'	30'	Equal to Width of R/W



PROPERTY DEVELOPMENT REGULATIONS Not to Scale

BUILDING SETBACKS (MINIMUM)	All Units
Front setback from Right of Way to garage - front loaded garage	25'
Front setback from Right of Way to house - front loaded garage	25'
Front setback from Right of Way to garage - side loaded garage	15'
Side setback - between house and property line	7.5'
Distance between houses	15'
Side setback on corner lots (street side)	15'
Rear setback - back of house to property line - non open space lots	15'
Rear setback - back of house to property line (excludes LME) - open space lots	11.25'
<b>BUILDING COVERAGE (Maximum)</b>	40%
<b>MINIMUM LOT SIZE (in square feet)</b>	8,450
<b>MINIMUM LOT DIMENSION (in linear feet, width x length). Note: Cul-de-sac lots subject to the provisions of Article 3, Chapter D, Section 1.C. (frontage reduction)</b>	65' x 130'
<b>POOLS &amp; SPAS</b>	
Rear yard setback from edge of pool water to property line - non open space lots	10.5'
Rear yard setback from edge of pool water to property line - open space lots (excludes LME)	3'
Side yard setback from property line to edge of pool water (corner lots)	18'
Side yard setback from property line to edge of pool water (interior lots)	10.5'
<b>SCREEN ENCLOSURES</b>	
Rear yard setback from property line to screen - non open space lots	7.5'
Rear yard setback from property line to screen - open space lots (excludes LME)	0'
Side yard setback from property line to screen - interior lots	7.5'
Side yard setback from property line to screen - corner lots	15'

Open Space is defined by the ULDC as "unbuilt land reserved for, or shown on the approved site plan or PDP, as one or more of the following uses: preservation, conservation, wetlands, well site dedicated to PBCWUD, passive recreation, greenway, landscaping, landscape buffer, and water management tracts." By ULDC standard, the minimum width of the open space must be 50' in width to qualify for the reduction noted herein. Therefore, in order for a lot to qualify as an "open space lot", the lot line seeking the reduction must abut an open space tract (as defined above) a minimum of 50' in width or greater.

**PALM BEACH WEST ASSOCIATES I, LLLP**  
 1600 SAWGRASS CORPORATE PKWY SUITE 400  
 SUNRISE, FLORIDA 33323  
 954-753-1730

Consultants:

**CIVIL ENGINEER**  
 GLH Engineering, LLC  
 1600 Sawgrass Corporate Pkwy Suite 400  
 Sunrise, FL 33323  
 954-753-1730

**SURVEYOR**  
 Sand and Hills Survey, Inc.  
 8461 Lake Worth Road, Suite 410  
 Lake Worth, FL 33467  
 (561) 209-6048

**TRAFFIC ENGINEER**  
 Simmons and White  
 2581 Metrocentre Blvd. Suite 3  
 West Palm Beach, FL 33407  
 (561) 478-7848

**PLANNERS**  
 Urban Design Kilday Studios  
 610 Clematis Street, Suite CU02  
 West Palm Beach, FL 33401  
 (561) 366-1100

Project:  
**INDIAN TRAILS GROVE - PUD**

Palm Beach County, Florida

Sheet title:  
**PRELIMINARY Regulating Plan**

Date:  
**2015-07-15**

Revisions:  
 2015-09-28 Resubmittal

Amendments:

Zoning Stamps:

Sheet number:

**PRP-11**