

Table with columns: NO., DATE, REVISION / REMARKS. Includes revision 1: GENERAL REVISION.

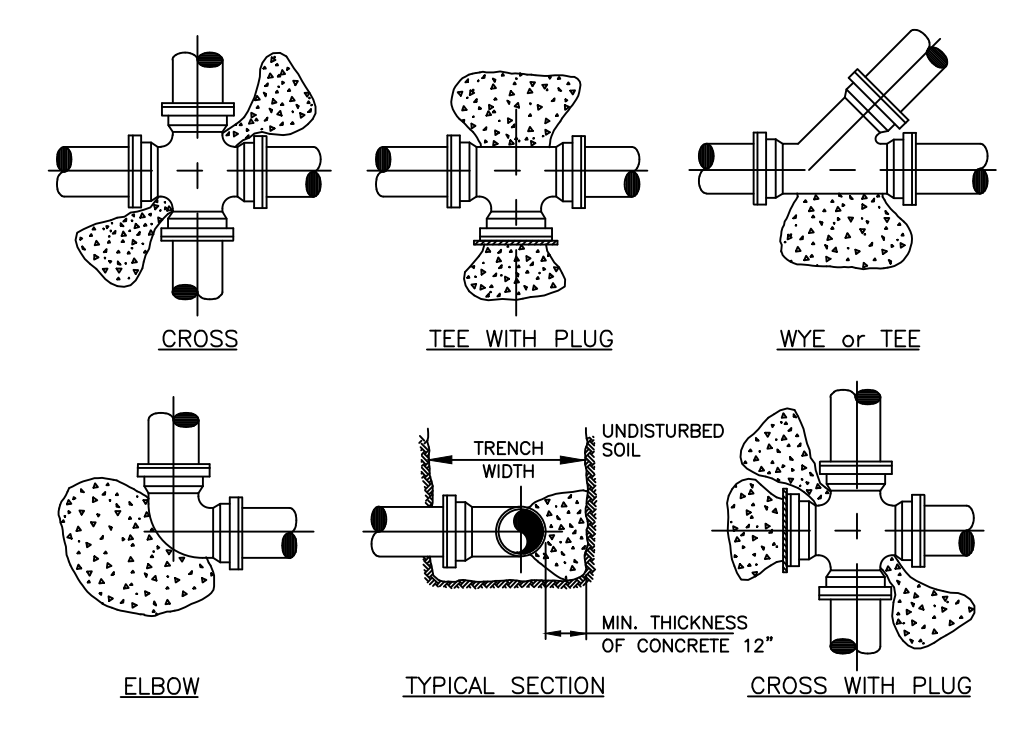
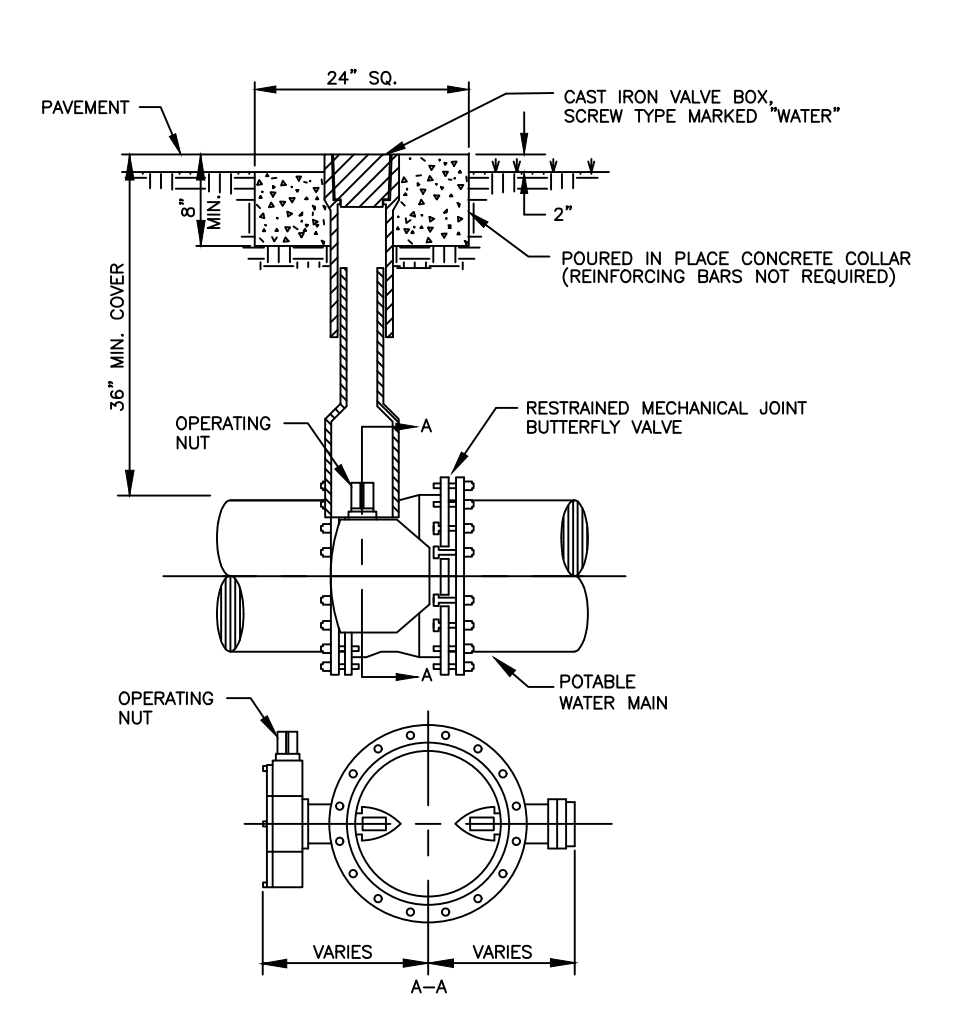


Table with columns: PIPE, THRUST BLOCK AREA REQ'D, REMARKS, NOTE. Lists specifications for 4", 6", 8", 10", 12", and 14" pipes.

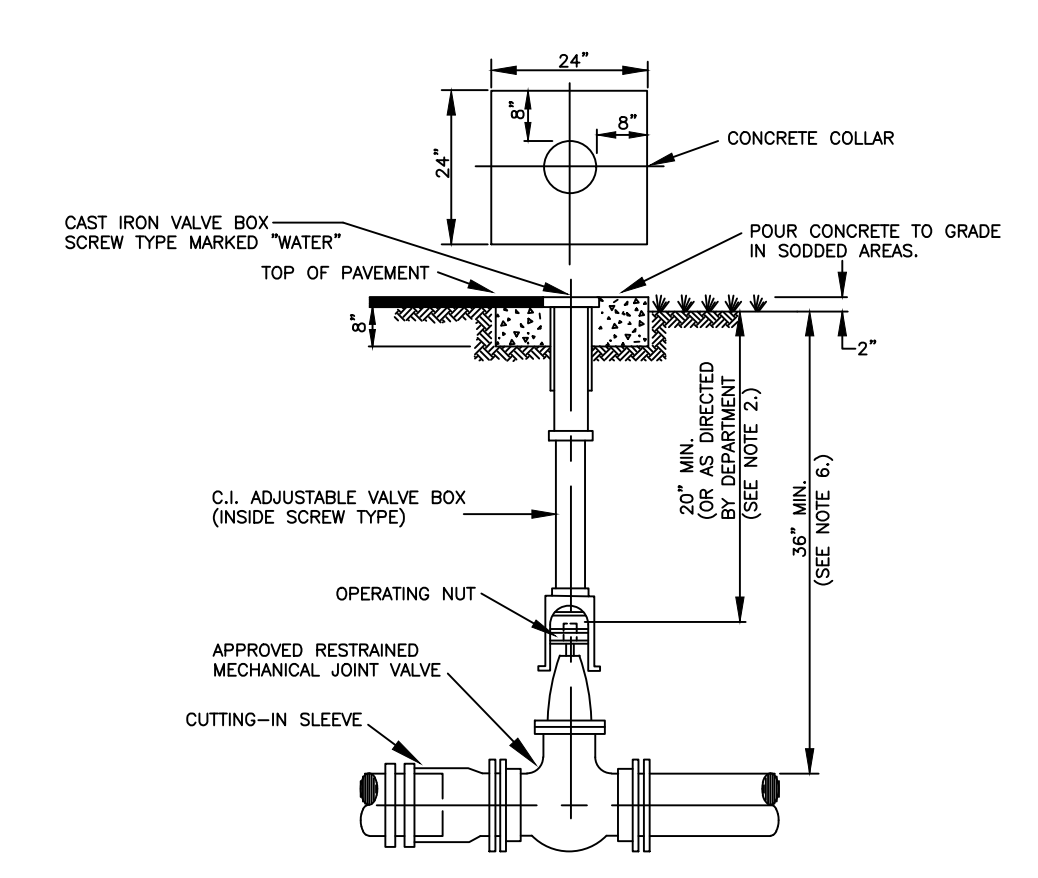
- NOTES: 1. CONCRETE THRUST BLOCKS OR THRUST COLLARS MAY BE UTILIZED ONLY IF NECESSARY FOR CONNECTIONS TO AN EXISTING PIPING SYSTEM...

TYPICAL THRUST BLOCKS FOR PRESSURE PIPE 20W



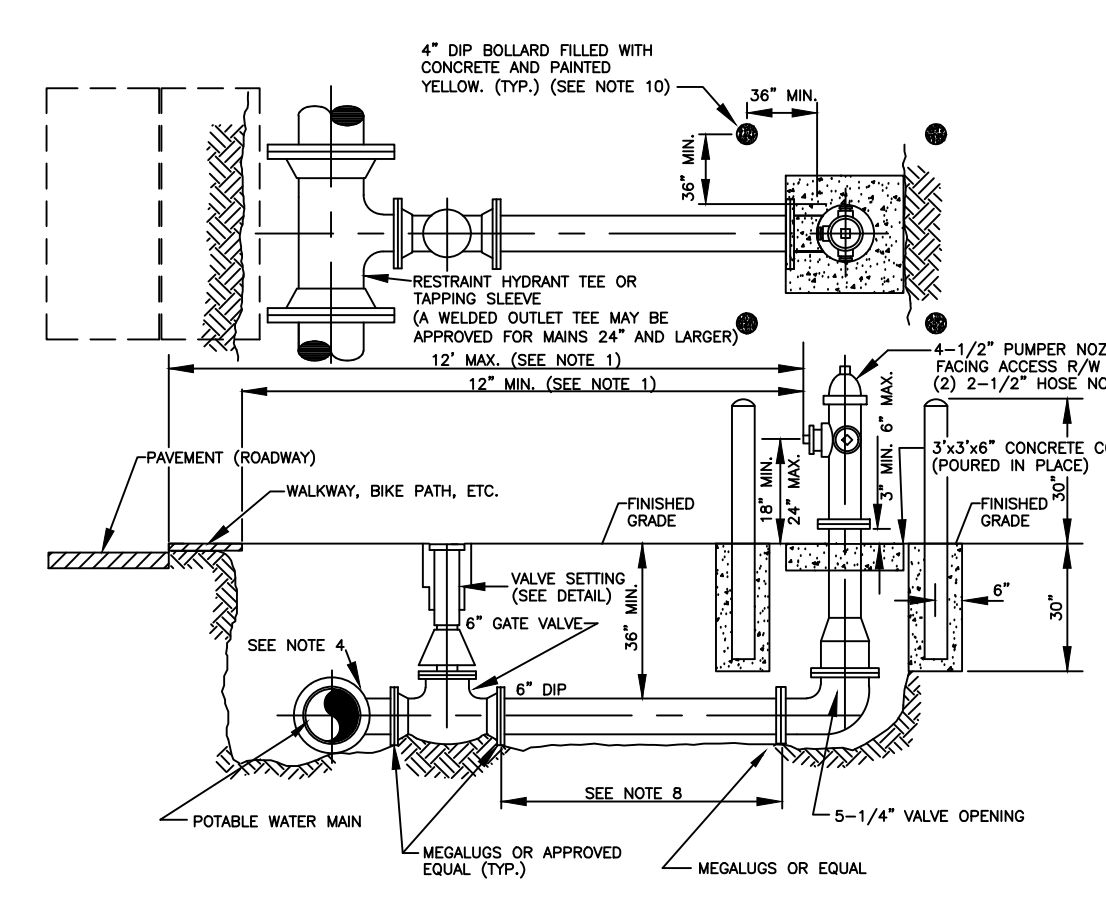
- NOTES: 1. CONCRETE COLLAR IS NOT REQUIRED IN PAVED AREAS IF PAVEMENT SURFACE IS FINISHED PRIOR TO CONDITIONAL FINAL INSPECTION...

POTABLE WATER MAIN TYPICAL BUTTERFLY VALVE SETTING 14W



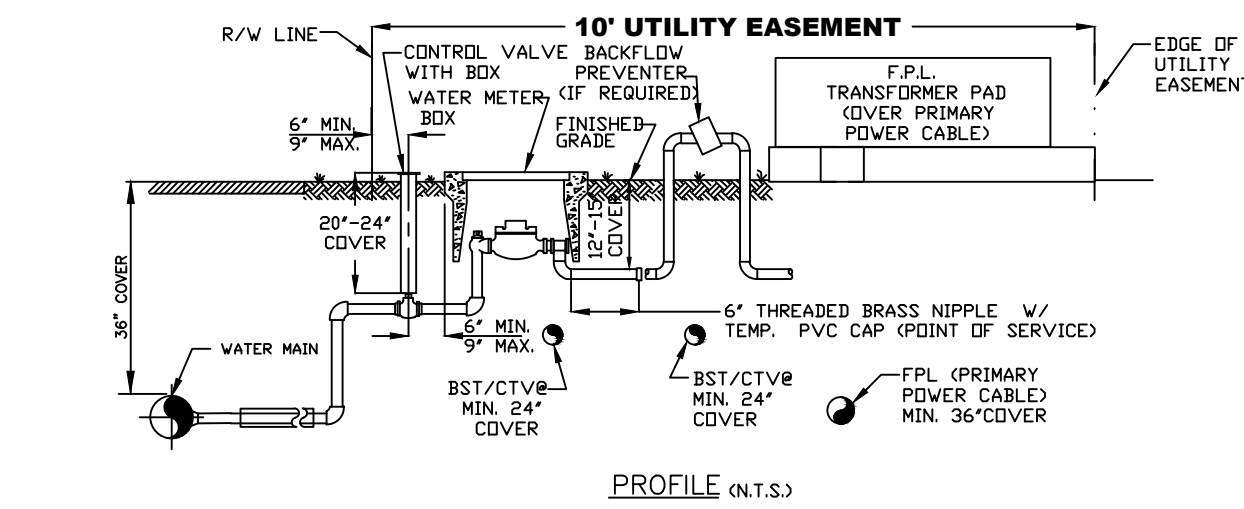
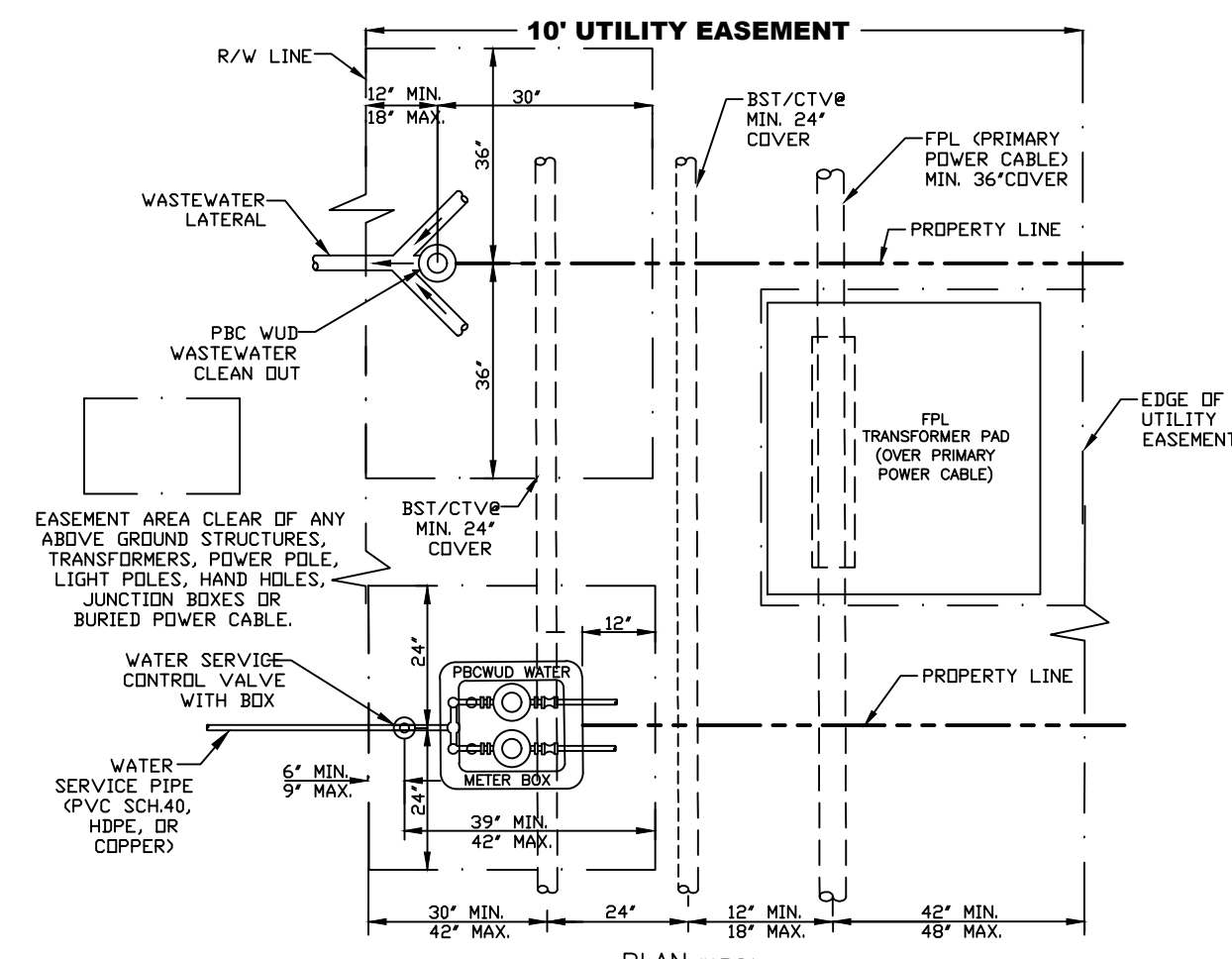
- NOTES: 1. CONCRETE COLLAR IS NOT REQUIRED IN PAVED AREAS IF PAVEMENT SURFACE IS FINISHED PRIOR TO CONDITIONAL FINAL INSPECTION...

POTABLE WATER MAIN TYPICAL GATE VALVE SETTING AND MAIN CUT-IN DETAIL 13W



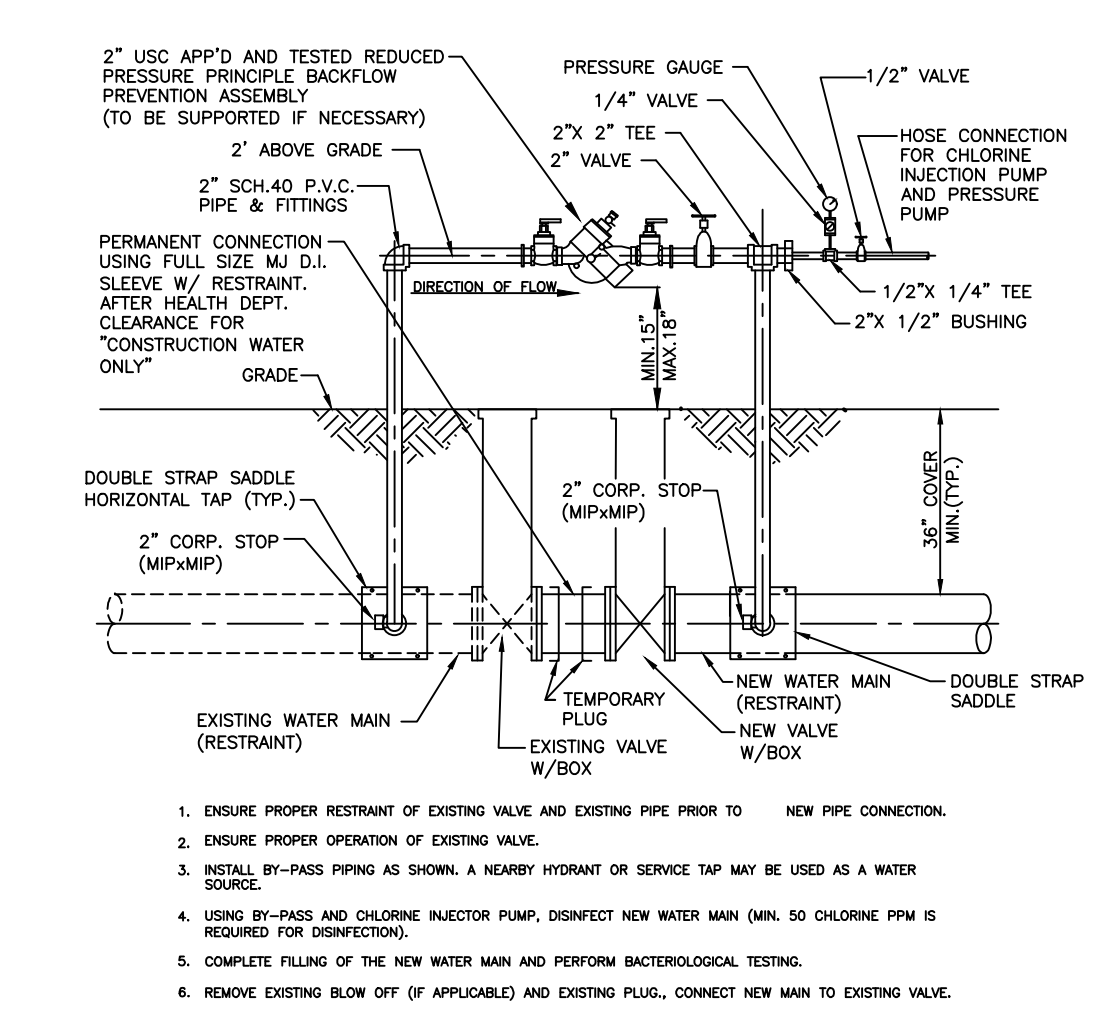
- NOTES: 1. FIRE HYDRANT SHALL BE INSTALLED PLUMB AND TRUE IN UNOBSTRUCTED LOCATION AND SHALL NOT INTERFERE WITH PEDESTRIAN WALKWAYS, BIKE PATHS, AND SUCH OTHER SIMILAR PATHWAYS...

TYPICAL FIRE HYDRANT INSTALLATION WITH BOLLARDS DETAIL 12W



- NOTES: 1. THE DETAIL WAS DEVELOPED IN COLLABORATION WITH UTILITY COMPANIES SUPPLYING VARIOUS UTILITY SERVICES TO P.B.C.V.U.D. CUSTOMERS...

TYPICAL UTILITY INSTALLATION DETAIL IN A 10' UTILITY EASEMENT ADJACENT TO R/W 11W



- NOTES: 1. ENSURE PROPER RESTRAINT OF EXISTING VALVE AND EXISTING PIPE PRIOR TO NEW PIPE CONNECTION...

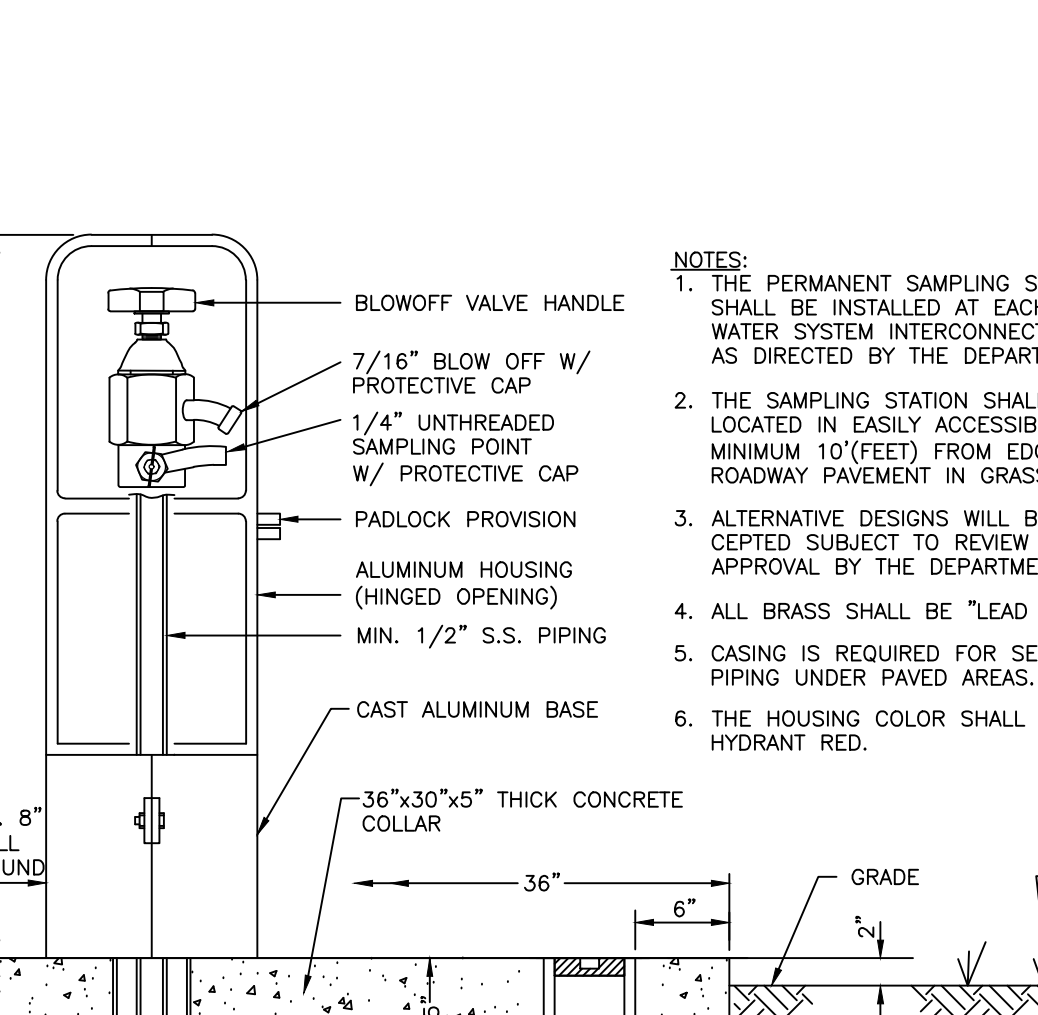
POTABLE WATER MAIN TEMPORARY SAMPLING POINT 16W

STANDARD POTABLE WATER MAIN TIE-IN 33W

POTABLE WATER #2 STANDARD DETAILS

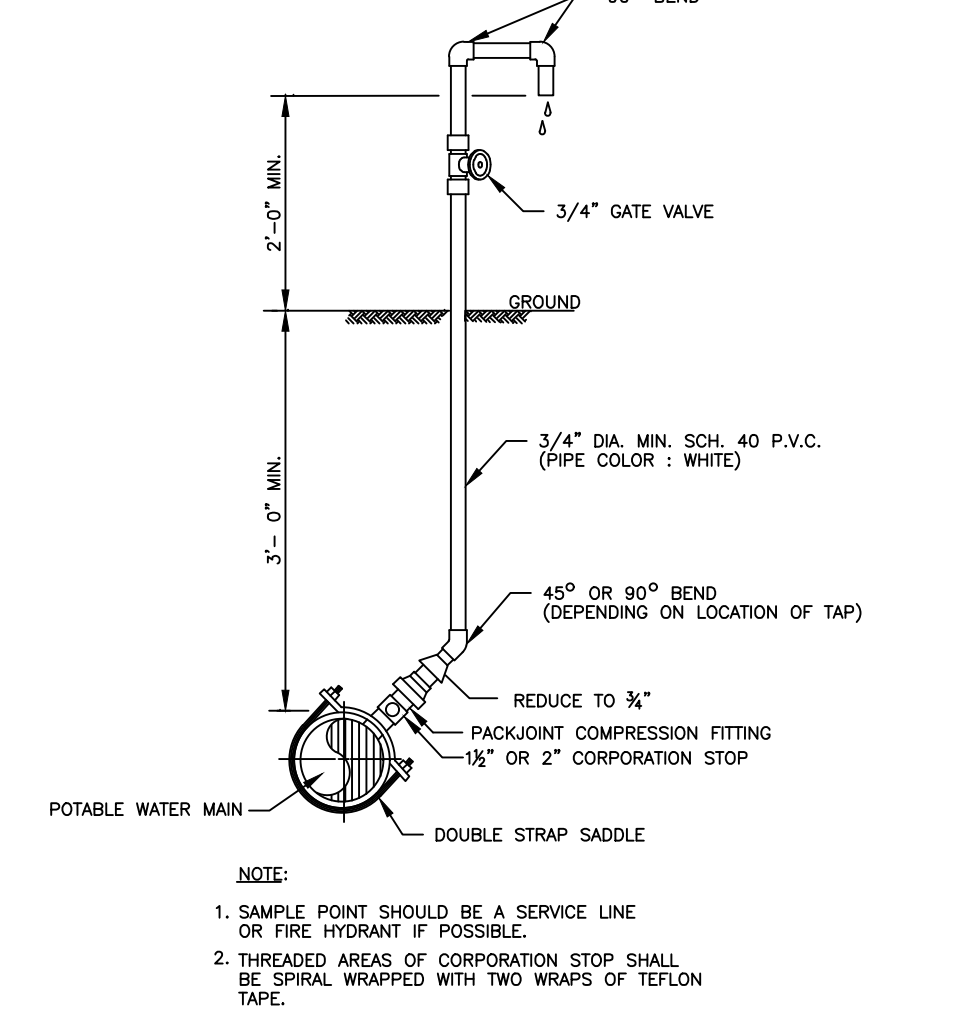
CONSULTANT: IT'S THE LAW! CALL 48 HOURS BEFORE YOU DIG 1-800-432-4770

DESIGNED BY: WUD DRAWN BY: M. BUCKNER CHECKED BY: J. LAMMERT APPROVED BY: WUD Palm Beach County Water Utilities Department P.O. Box 16097 West Palm Beach, FL 33416-6097



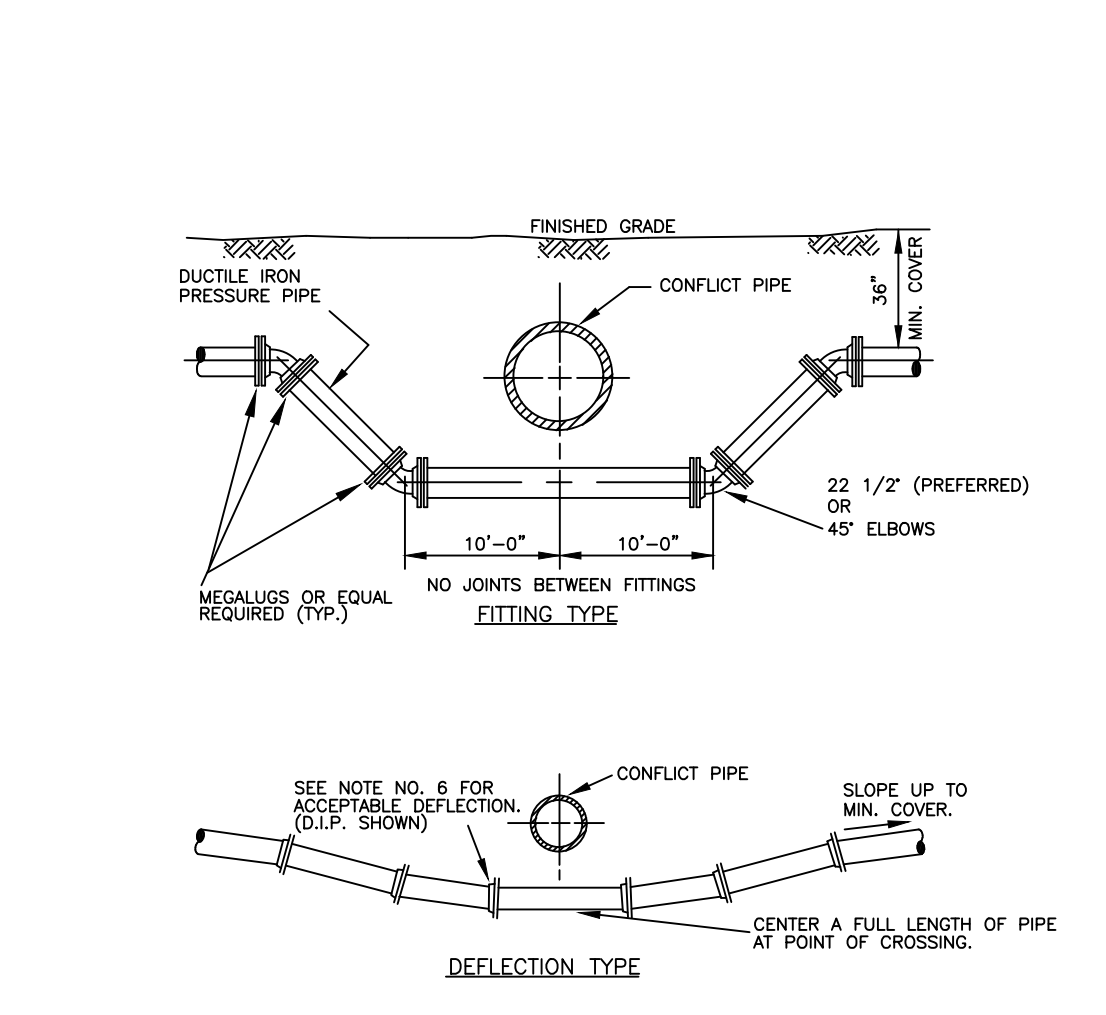
- NOTES: 1. THE PERMANENT SAMPLING STATION SHALL BE INSTALLED AT EACH UTILITY WATER SYSTEM INTERCONNECT AND AS DIRECTED BY THE DEPARTMENT...

PERMANENT SAMPLING POINT 15W



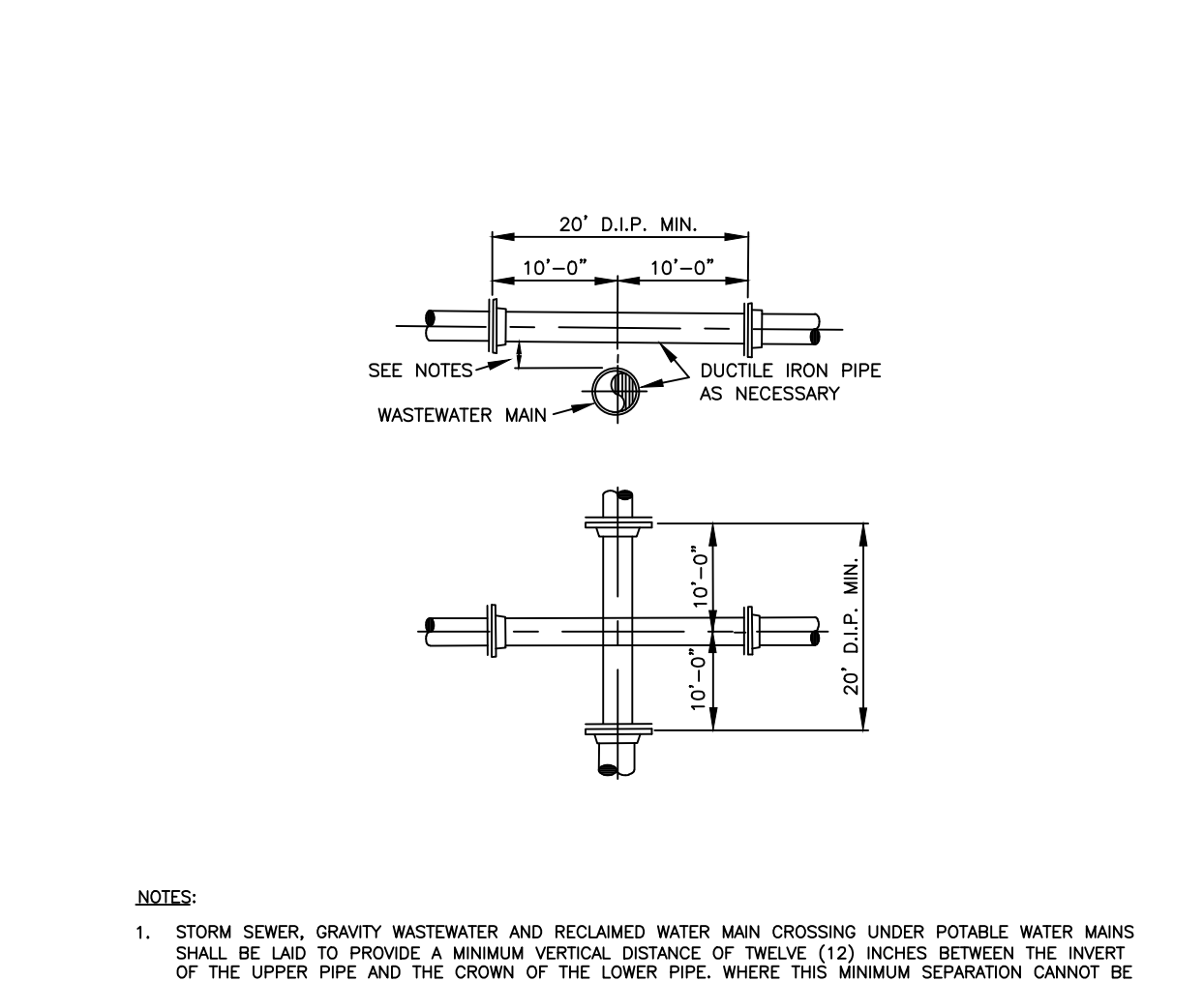
- NOTES: 1. USE HYDRANT WRENCH ONLY. 2. ALL PIPES AND FITTINGS SCH. 40 P.V.C. (PIPE COLOR: WHITE).

POTABLE WATER MAIN FIRE HYDRANT SAMPLING POINT 17W



- NOTES: 1. STORM SEWER, GRAVITY WASTEWATER AND RECLAIMED WATER MAIN CROSSING UNDER POTABLE WATER MAINS SHALL BE LAID TO PROVIDE A MINIMUM VERTICAL DISTANCE OF TWELVE (12) INCHES...

POTABLE WATER MAIN / FORCE MAIN PRESSURE PIPE CONFLICT DETAIL 19W



- NOTES: 1. STORM SEWER, GRAVITY WASTEWATER AND RECLAIMED WATER MAIN CROSSING UNDER POTABLE WATER MAINS SHALL BE LAID TO PROVIDE A MINIMUM VERTICAL DISTANCE OF TWELVE (12) INCHES...

POTABLE WATER, WASTEWATER MAIN AND STORM SEWER CONFLICT 18W