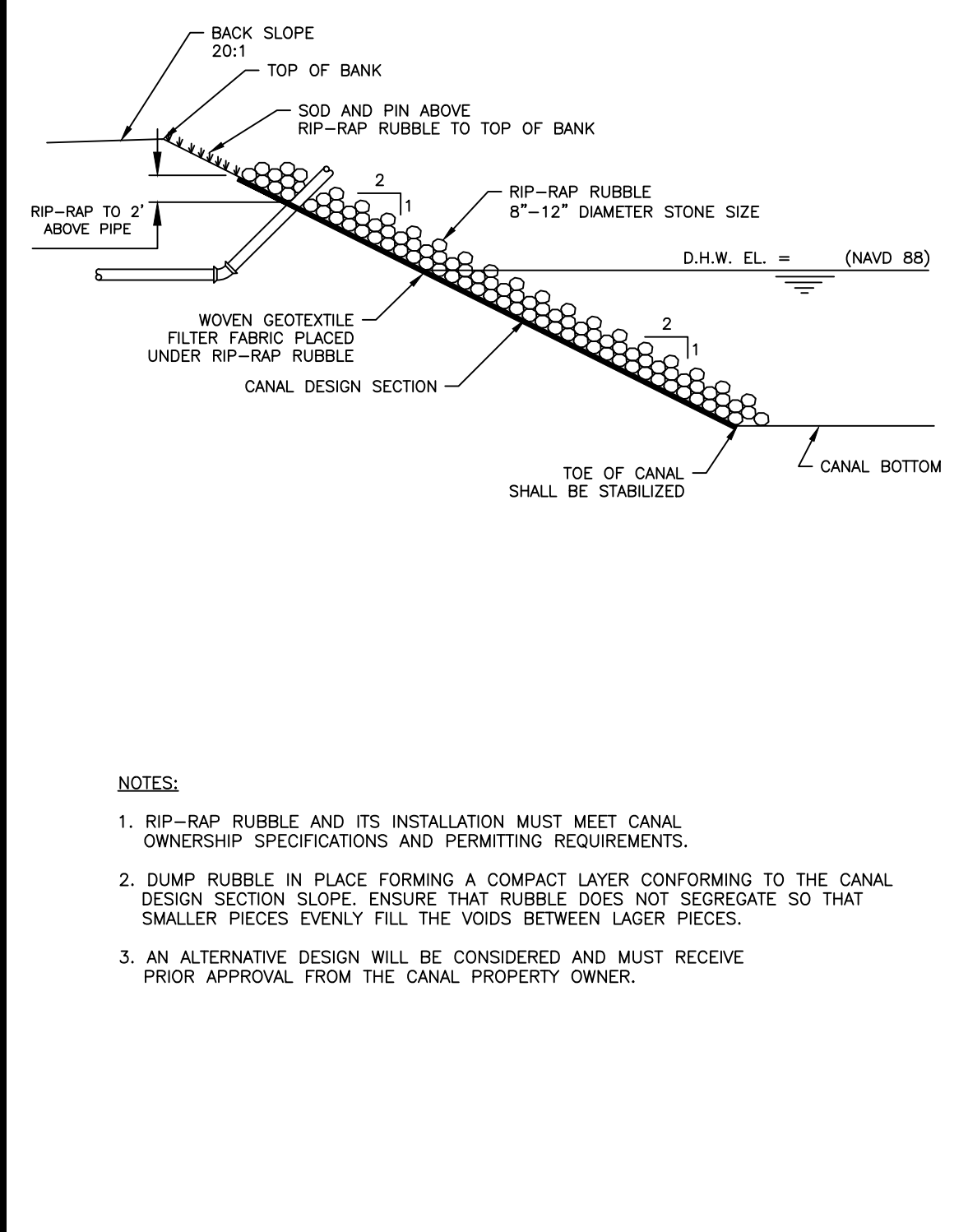
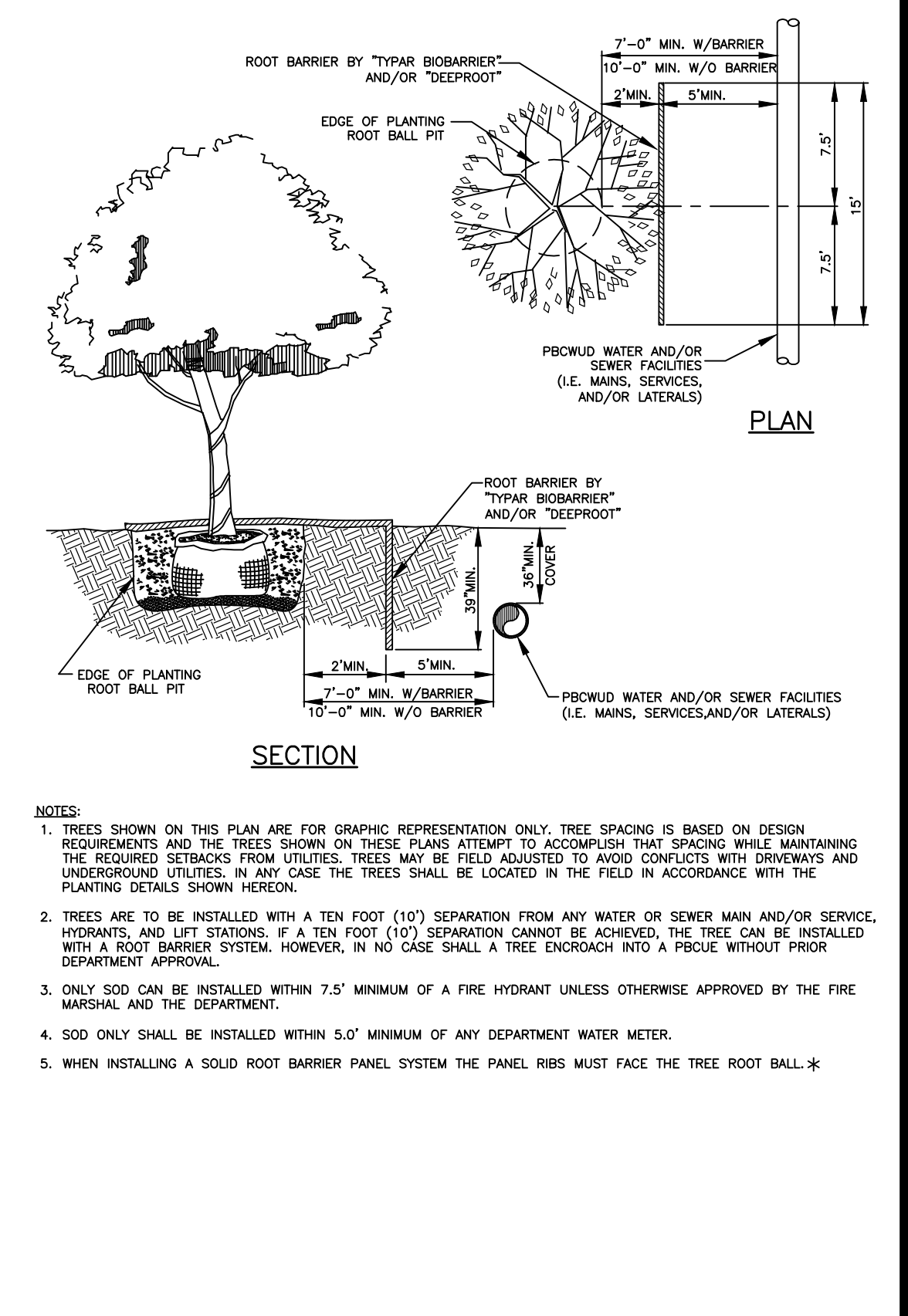


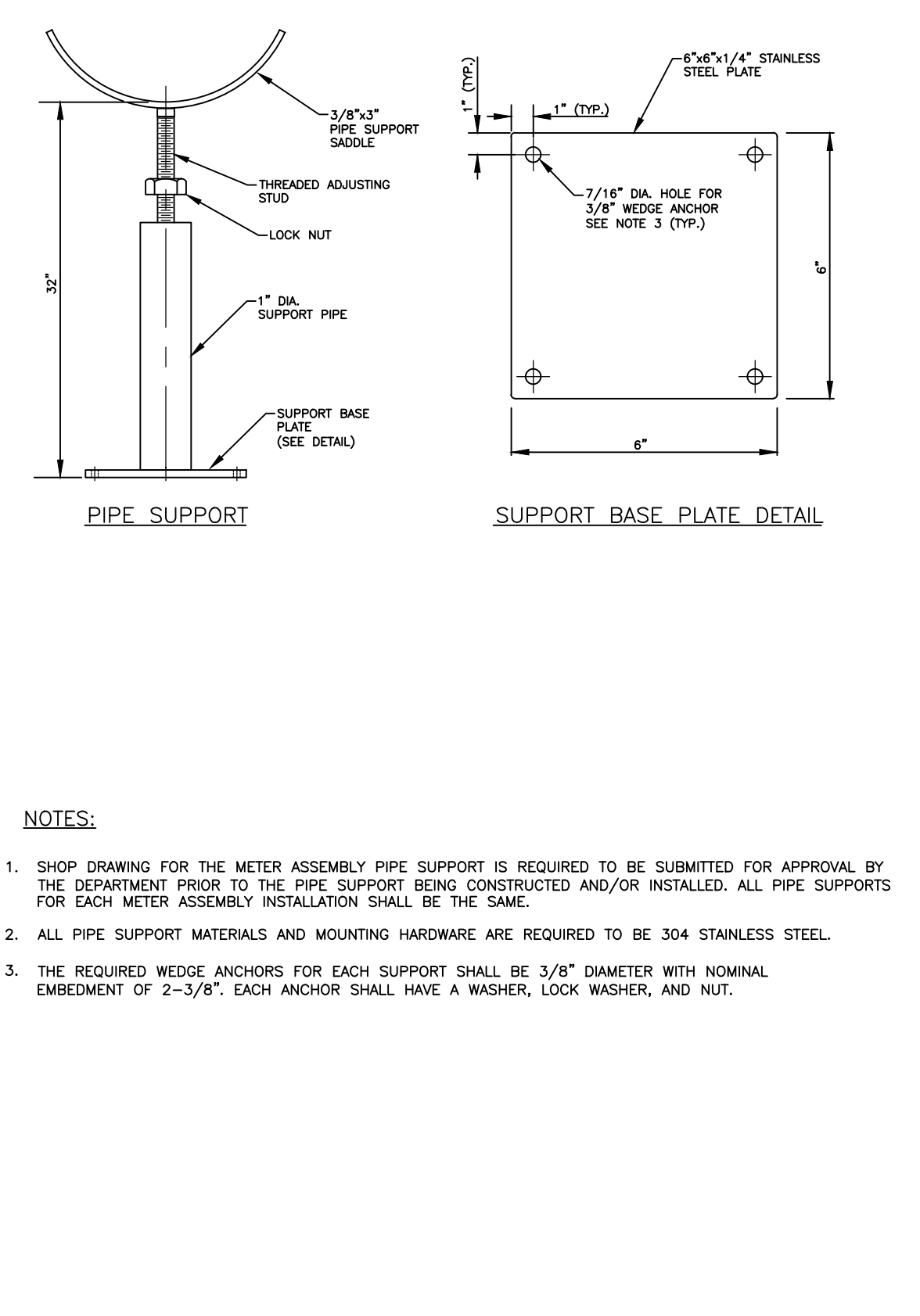
AUTOMATIC FLUSHING ASSEMBLY (TYPE B) 44W



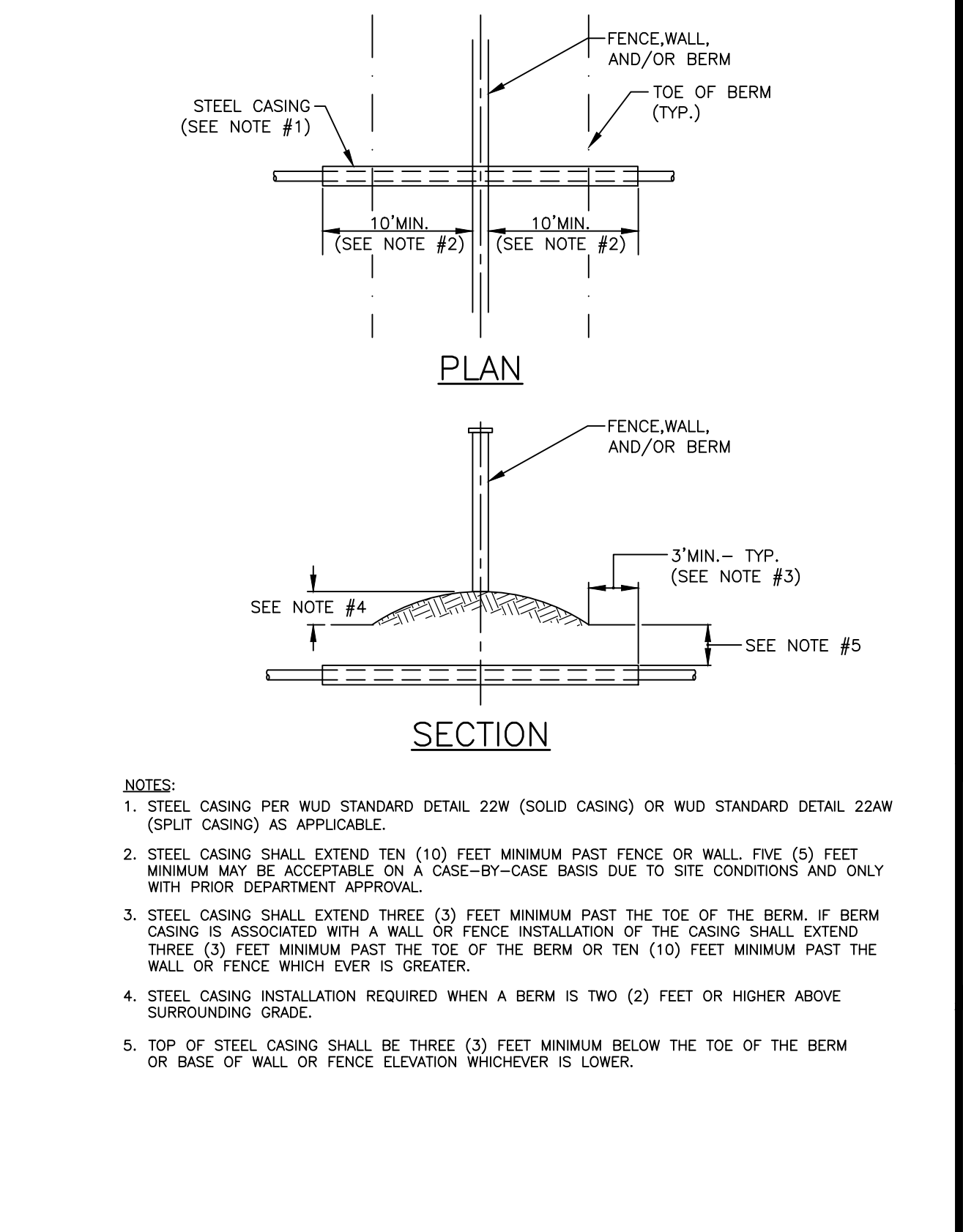
RIP-RAP RUBBLE DETAIL 45W



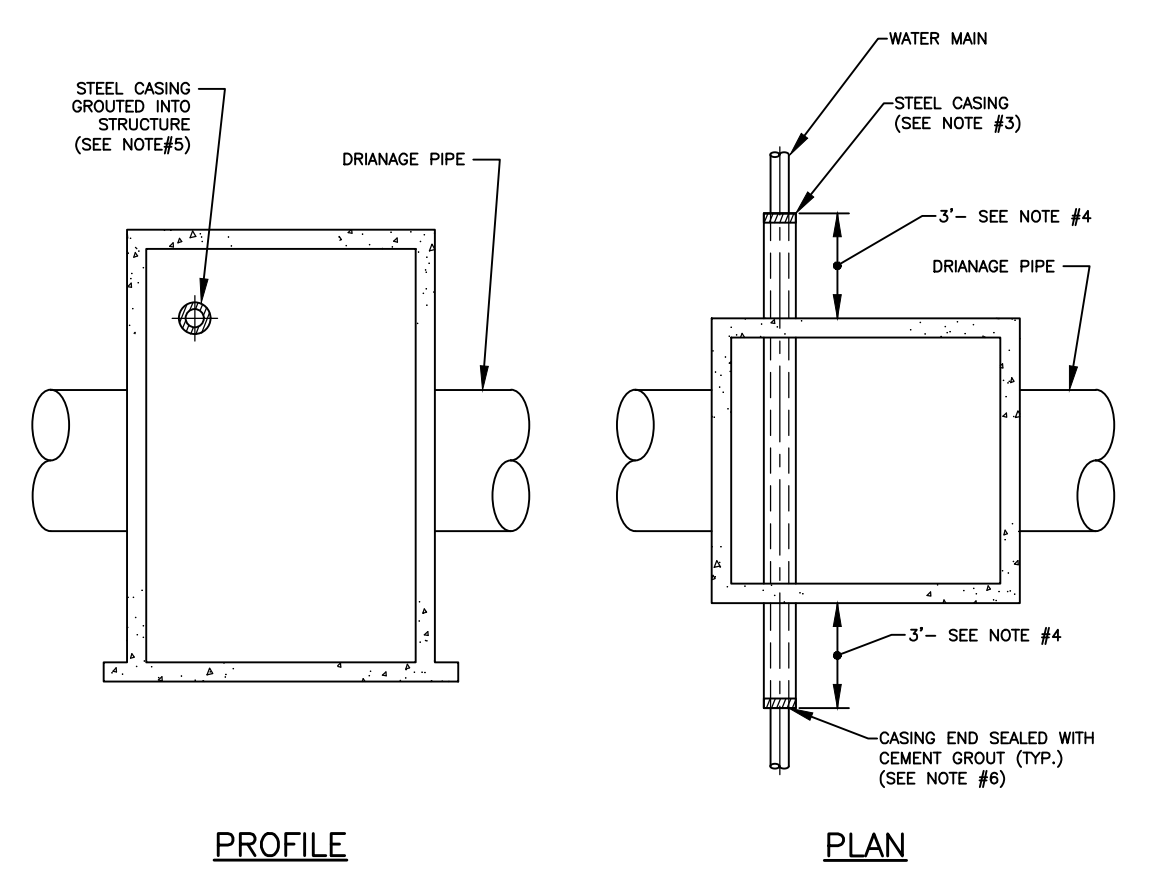
LANDSCAPE AND ROOT BARRIER DETAIL * 46W



ABOVE GROUND WATER METER INSTALLATION PIPE SUPPORT 47W



POTABLE WATER MAIN CROSSING FENCE, WALL, OR BERM CASING DETAIL* 48W



WUD MAIN SIZE	DIAMETER OF STEEL CASING	OPENING SIZE FOR SOLID CASING	OPENING SIZE FOR SPLIT CASING
6"	14"	18"	20"
8"	20"	24"	26"
10"	26"	28"	30"
12"	32"	36"	38"

- NOTES:
- THE CONFLICT STRUCTURE IS TO BE DESIGNED PER CURRENT FDOT UTILITY CONFLICT THRU DRAINAGE STRUCTURE STANDARDS.
 - A SHOP DRAWING TO SCALE FOR EACH CONFLICT STRUCTURE INSTALLATION IS REQUIRED TO BE APPROVED BY THE DEPARTMENT PRIOR TO INSTALLATION.
 - STEEL CASING PER WUD STANDARD DETAIL 22W (SOLID CASING) OR WUD STANDARD DETAIL 22AW (SPLIT CASING) FOR EXISTING WATER MAIN ONLY.
 - STEEL CASING SHALL EXTEND THREE (3) FEET PAST EACH SIDE OF STRUCTURE. CASING CAN EXTEND FURTHER PAST THE STRUCTURE WHEN EXISTING CONDITIONS WARRANT AND ONLY WITH PRIOR DEPARTMENT APPROVAL.
 - STEEL CASING SHALL BE GROUTED IN PLACE WITH NON-SHRINKABLE CEMENT GROUT TO PROVIDE A WATER TIGHT SEAL TO PREVENT ANY LEAKAGE INTO THE STRUCTURE.
 - NON-SHRINKABLE CEMENT GROUT TO BE INSTALLED AT EACH END OF CASING TO OBTAIN WATER TIGHT SEAL.

POTABLE WATER MAIN CONFLICT STRUCTURE DETAIL* 49W

THIS SPACE INTENTIONALLY LEFT BLANK

THIS SPACE INTENTIONALLY LEFT BLANK

THIS SPACE INTENTIONALLY LEFT BLANK

THIS SPACE INTENTIONALLY LEFT BLANK

POTABLE WATER #6 STANDARD DETAILS

CONSULTANT:

IT'S THE LAW!
CALL 48 HOURS BEFORE YOU DIG
1-800-432-4770
SUNSHINE STATE ONE CALL OF FLORIDA, INC.
UTILITIES NOTIFICATION CENTER

DESIGNED BY: WUD
DRAWN BY: M. BUCKNER Palm Beach County Water Utilities Department
CHECKED BY: J. LAMMERT P.O. Box 16097 West Palm Beach, FL 33416-6097
APPROVED BY: WUD

NO.	DATE	REVISION / REMARKS
*	JUL 2019	GENERAL REVISION
	JAN 2023	GENERAL REVISION

STD DETAILS
SHEET NUMBER
0 OF 0

SEAL