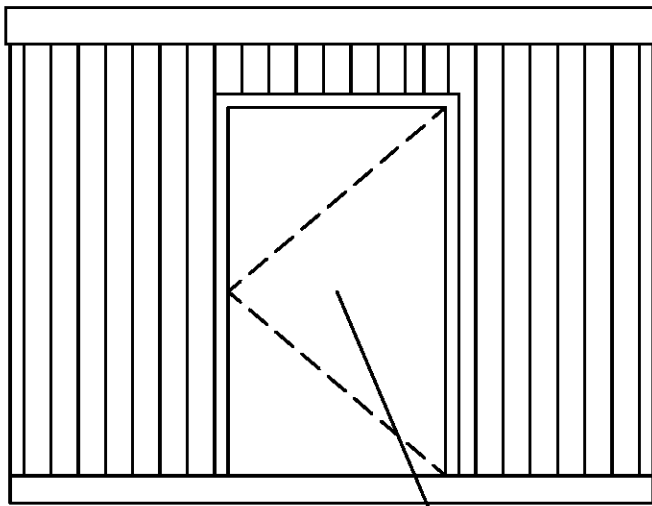


WIND INFORMATION – 2010 F.R.C. (ASCE 7-10)

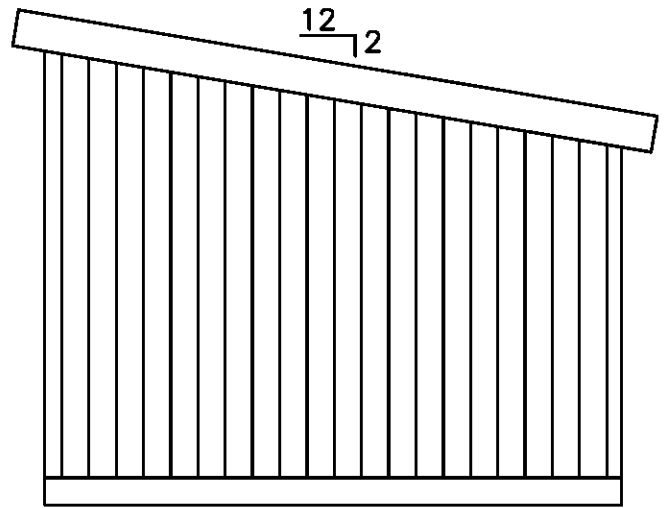
BASIC WIND SPEED:	160 M.P.H. 3 SECOND GUST
BASIC VELOCITY PRESSURE:	47.3 (LRFD) EXP. C
OCCUPANCY RISK CATEGORY:	STORAGE (RISK CATEGORY I)
TOTAL ROOF LIVE LOAD:	30 P.S.F. BEARING 10 P.S.F. BOTTOM CHORD
TOTAL ROOF DEAD LOAD:	17 P.S.F. BEARING
MEAN ROOF HEIGHT:	LESS THAN 20 FT.
SOIL BEARING CAPACITY;	2500 P.S.F
APPROVED PRESCRIPTIVE DESIGN FOR PERMITTING IN PALM BEACH COUNTY PER THESE DETAILS ONLY (BCAB ACTION)	



FRONT ELEVATION

N.T.S.

+29.6 PSF
-32.2 PSF



RIGHT SIDE ELEVATION

N.T.S.

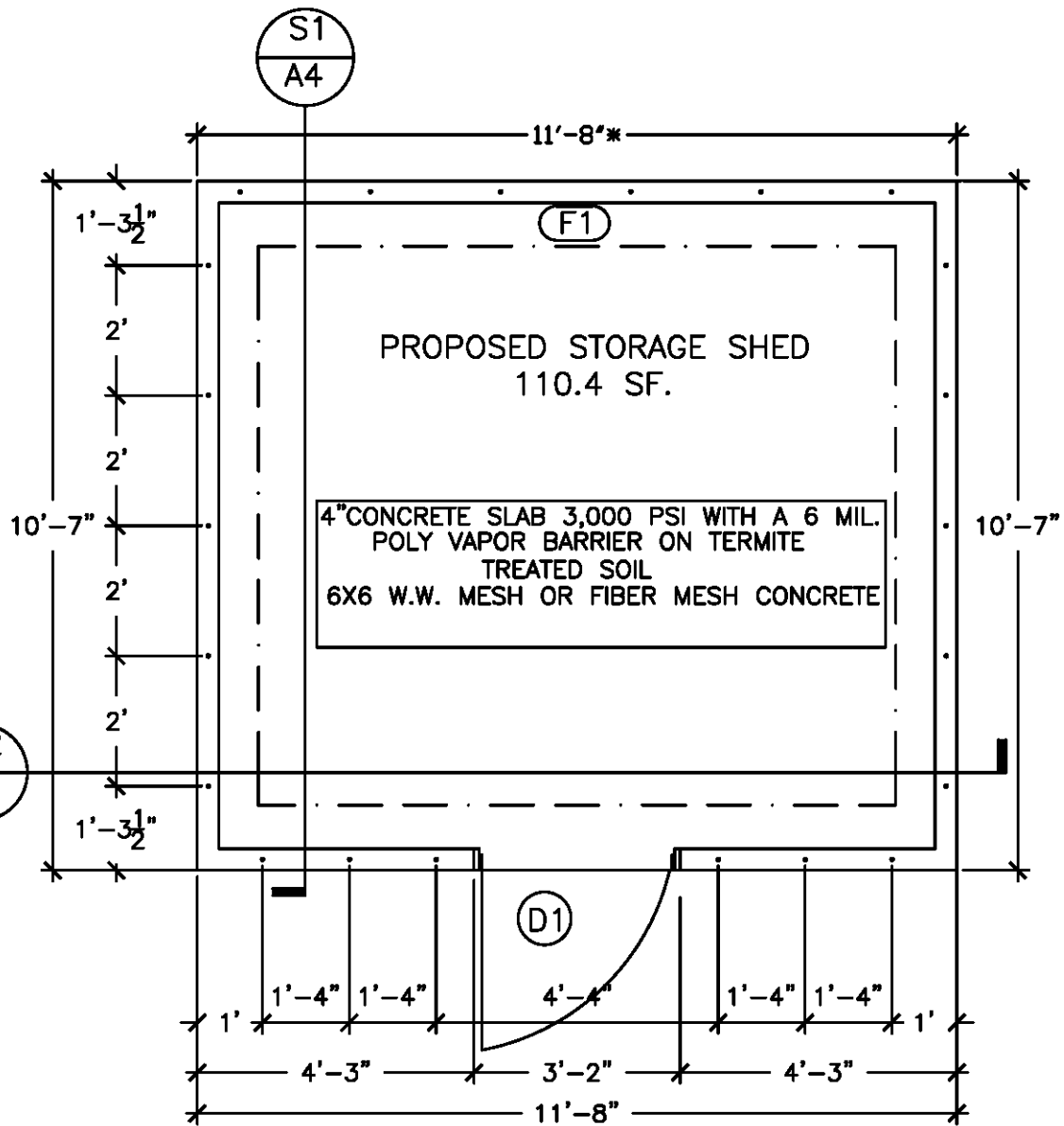
Palm Beach County
Building Code Advisory Board
03-12

RES. YARD STORAGE BUILDING

11' - 8" * WIDE X 10' - 7" DEEP

SCALE 3/8"=1'-0"

A-1



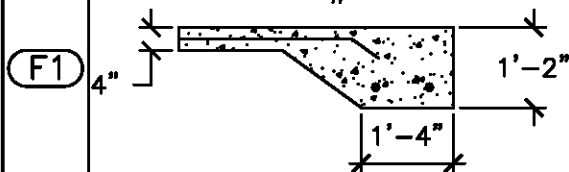
FLOOR PLAN

3/8" = 1"

FOUNDATION SCHEDULE

16"X14" MONOLITHIC SLAB
W 2 #5

DOOR



ID	WIDTH	HEIGHT	TYPE	CONS
(D1)	3'-0"	6'-8"	SINGLE	ALUM

* NOTE: 2'-0" INCREMENTS MAY BE ADDED
UP TO 19'-8" MAX

Palm Beach County
Building Code Advisory Board
09-10

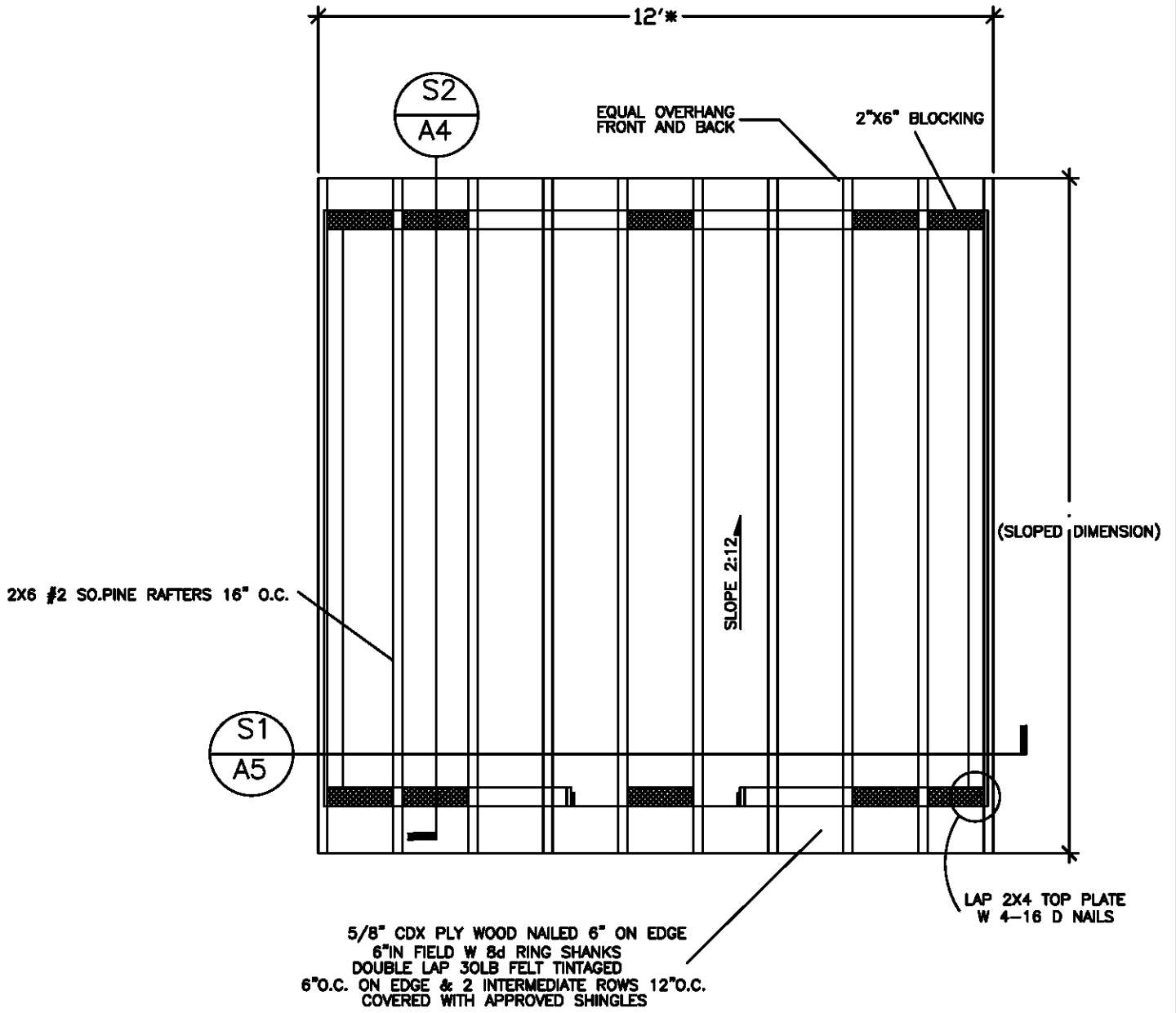
RES. YARD STORAGE BUILDING

11' - 8" WIDE X 10' - 7" DEEP

FOUNDATION PLAN

SCALE 3/8" = 1'-0"

A-2



ROOF PLAN

3/8"=1"

Palm Beach County
Building Code Advisory Board
09-10

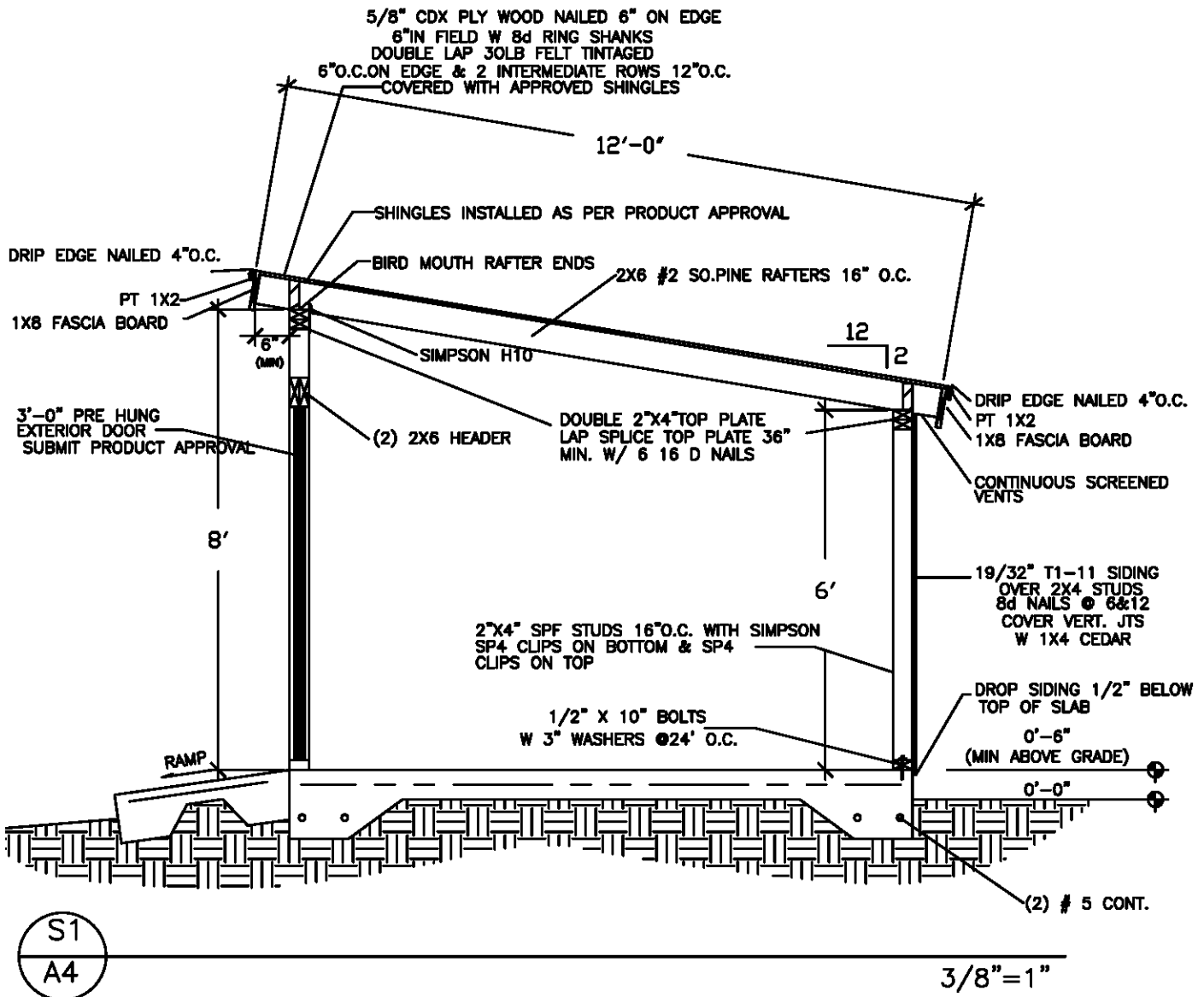
RES.YARD STORAGE BUILDING

11' - 8"* WIDE X 10' - 7" DEEP

ROOF FRAMING PLAN

SCALE 3/8"=1'-0"

A-3



Palm Beach County
 Building Code Advisory Board
 09-10

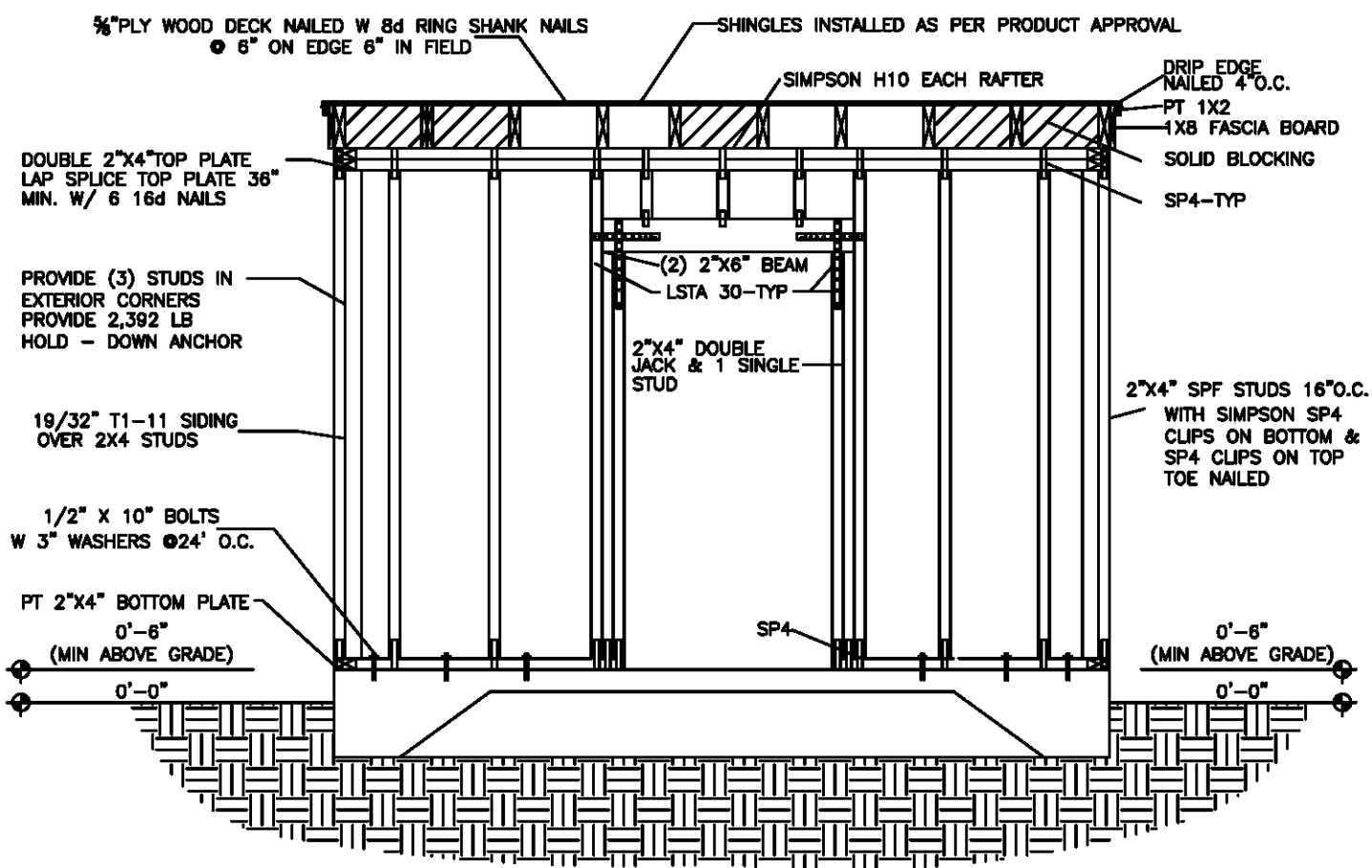
RES. YARD STORAGE BUILDING

11' - 8" WIDE X 10' - 7" DEEP

SECTION

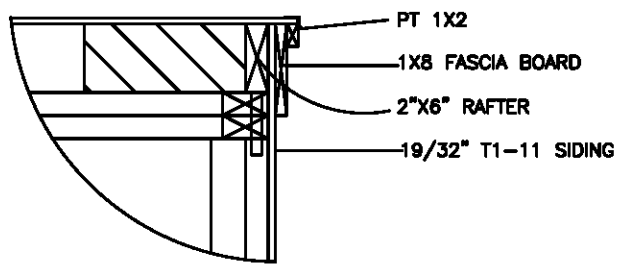
SCALE 3/8" = 1'-0"

A-4



S2
A5

3/8"=1"



RAKE DETAIL

NTS

Palm Beach County
Building Code Advisory Board
09-10

RES. YARD STORAGE BUILDING

11' - 8" WIDE X 10' - 7" DEEP

SECTION

SCALE 3/8"=1'-0"

A-5

MAJOR MATERIAL LIST

FORMS

4- 2X12X12
 5- 2X4X12
 26-2X4 STAKES
 120 SF 6 MIL VISQUEEN
 6x6 WELDED WIRE MESH
 OR FIBER-MESH CONCRETE
 3000 PSI CONCRETE - QUANTITY BASED
 ON SIZE

WALL FRAMING

48- 2X4X8
 8- 2X4X12
 4- 2X4X12 PT
 1- 2X6X8
 12- 5/8"X4X8 3/4" T-111
 11- 1X4X10 RS CEDAR

ROOF

14- 2X6X12 SYP#2
 4- 1X8X14 RS CEDAR
 5- 1X2X10 PT
 5- 5/8"X4X8 CDX PLYWOOD

RE-BAR

4#5 @ 10'-4"
 4#5 @ 11'-6"
 8#5 @ 5'-0" 90° CORNER BARS
 20- 16" W.P.B. FOOTING CHAIRS

28-1/2" X 6" WEDGE ANCHORS
 1- ROLL 30# FELT
 1- 3-0 X6'8" RH OUT SWING
 (EXTERIOR DOOR)
 6- SIMPSON LSTA 30
 90- SIMPSON SP4 CLIPS

20- SIMPSON H-10
 1 ROLL 30# FELT
 60' 2X2 DRIP EDGE
 2 SQUARES ASPHALT SHINGLES
 ASTM D 7158-H ASTM D 3161-F

- * NOTES: (1) INCREASED QUANTITY REQUIRED FOR BUILDINGS OVER 11'-8" WIDE.
 (2) APPROVED FASTENERS, SEALANTS, DOOR HARDWARE AND OTHER MISCELLANEOUS MATERIALS REQUIRED.
 (3) STORAGE SHEDS THAT ARE NOT DESIGNED FOR HUMAN HABITATION AND HAVE LESS THAN 720 SQ. FT. SHALL NOT BE REQUIRED TO COMPLY WITH THE WINDBORNE DEBRIS STANDARDS OF THIS CODE.

Palm Beach County
 Building Code Advisory Board
 09-10

RES.YARD STORAGE BUILDING

11' - 8"* WIDE X 10' - 7" DEEP

MATERIAL LIST

SCALE 3/8"=1'-0"

A-6