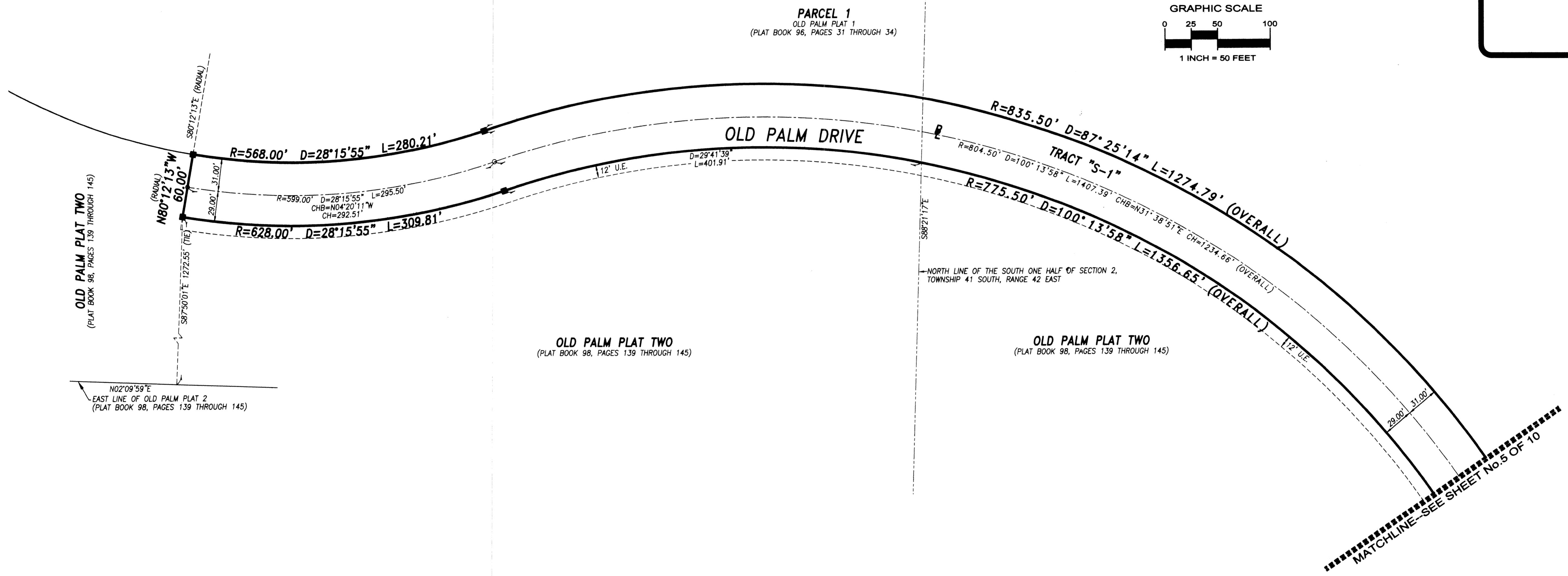
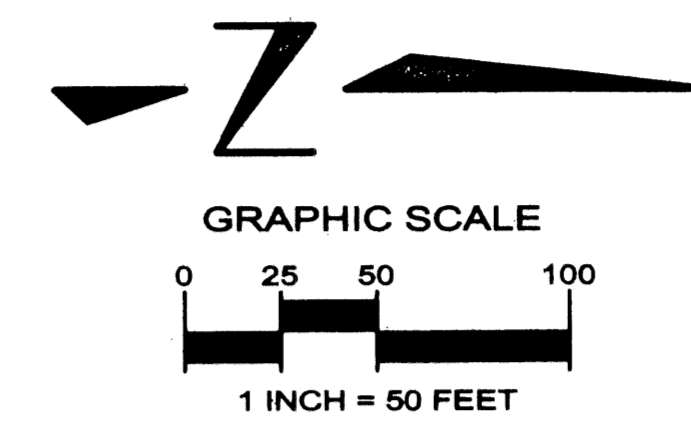


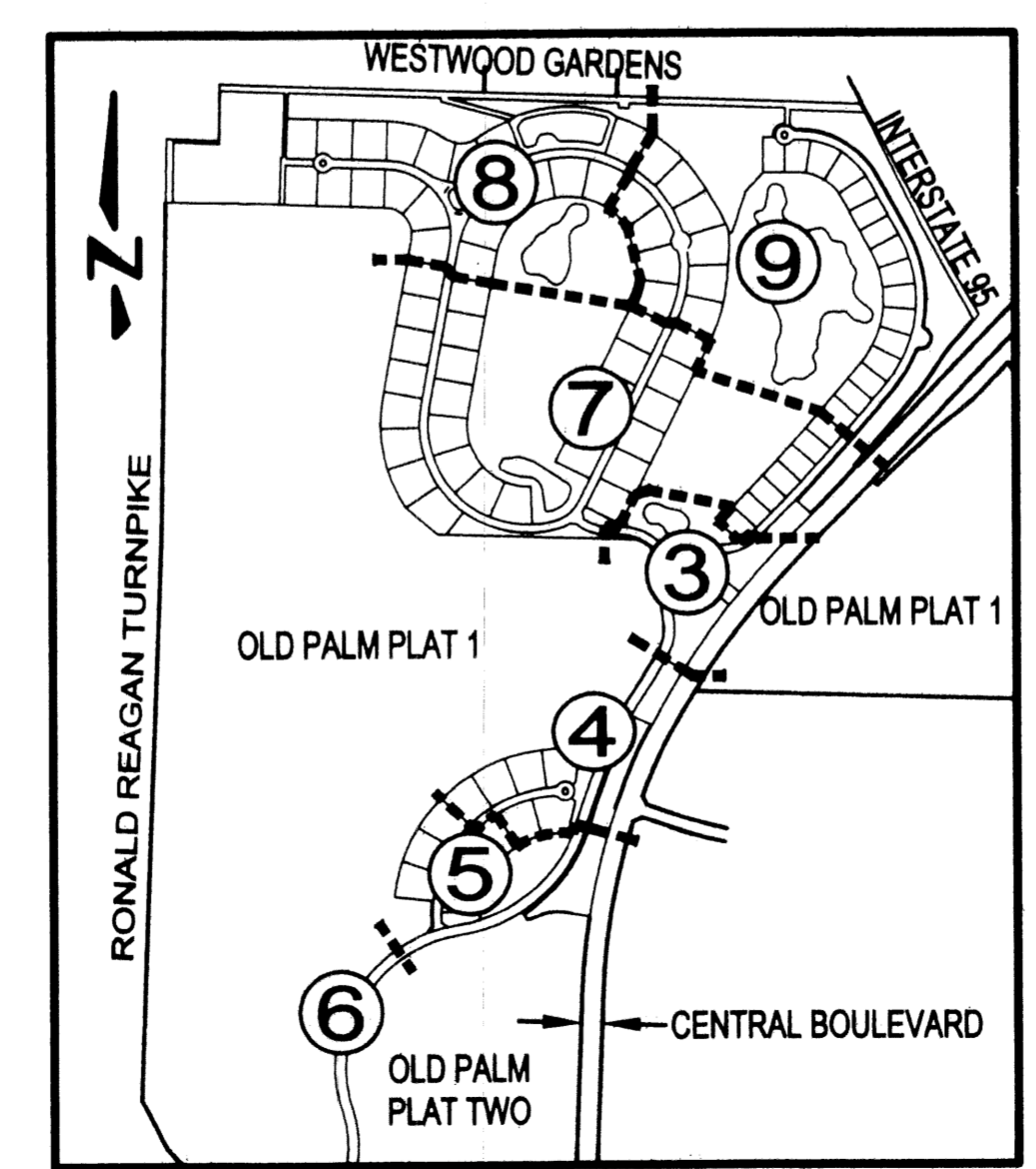
**OLD PALM PLAT THREE**  
 A REPLAT OF A PORTION OF PARCEL 1, OLD PALM PLAT 1 AS RECORDED IN  
 PLAT BOOK 96, PAGES 31 THROUGH 34, PUBLIC RECORDS OF PALM BEACH COUNTY, FLORIDA  
 LYING IN SECTION 2, TOWNSHIP 42 SOUTH, RANGE 42 EAST, AND SECTION 35, TOWNSHIP 41 SOUTH, RANGE 42 EAST,  
 CITY OF PALM BEACH GARDENS, PALM BEACH COUNTY, FLORIDA  
 SHEET No.6 OF 10      SEPTEMBER 2003



**SYMBOLS LEGEND**

■	SET PERMANENT REFERENCE MONUMENT (P.R.M.) "L.B.4897"
○	PERMANENT CONTROL POINT (P.C.P.)
NPBCID	NORTHERN PALM BEACH COUNTY IMPROVEMENT DISTRICT
R	RADIUS
D	CENTRAL ANGLE
L	ARC LENGTH
INT	INTERSECTION
—	BASELINE OF RIGHT-OF-WAY
P.O.B.	POINT OF BEGINNING
P.O.C.	POINT OF COMMENCING
+	CHANGE IN DIRECTION
P.S.M.	PROFESSIONAL SURVEYOR AND MAPPER
P.C.	POINT OF CURVATURE
NR	NON-RADIAL LOT LINE
■	PERMANENT REFERENCE MONUMENT (P.R.M.) "L.B.4431"
■	FOUND 8"X8" STATE ROAD DEPARTMENT PERMANENT REFERENCE MONUMENT
CHB	CHORD BEARING CH=CHORD DISTANCE
S.U.A.	SEACOAST UTILITY AUTHORITY
S.L.E.	SEWER LINE EASEMENT
W.L.E.	WATER LINE EASEMENT
W.S.E.	WATER AND SEWER EASEMENT
D.E.	DRAINAGE EASEMENT
U.E.	UTILITY EASEMENT
O.R.B.	OFFICIAL RECORDS BOOK
PG.	PAGE
TWP.	TOWNSHIP
RGE.	RANGE
OST	OPEN SPACE TRACT

\*NOTE: ALL SIDE LOT LINES ARE RADIAL UNLESS OTHERWISE SPECIFIED.



**INDEX SHEET MAP**  
NOT TO SCALE



**Keshavarz & Associates, Inc.**  
 CONSULTING ENGINEERS - SURVEYORS  
 711 N. Dixie Highway, Suite 201  
 West Palm Beach, Florida 33401  
 Tel: (561) 689-9600 Fax: (561) 689-7476 LB 4897  
 THIS INSTRUMENT WAS PREPARED BY MANUEL A. GUTIERREZ, PSM  
 PROFESSIONAL SURVEYOR AND MAPPER NO. 4102  
 IN THE OFFICES OF KESHAVARZ & ASSOCIATES, INC.