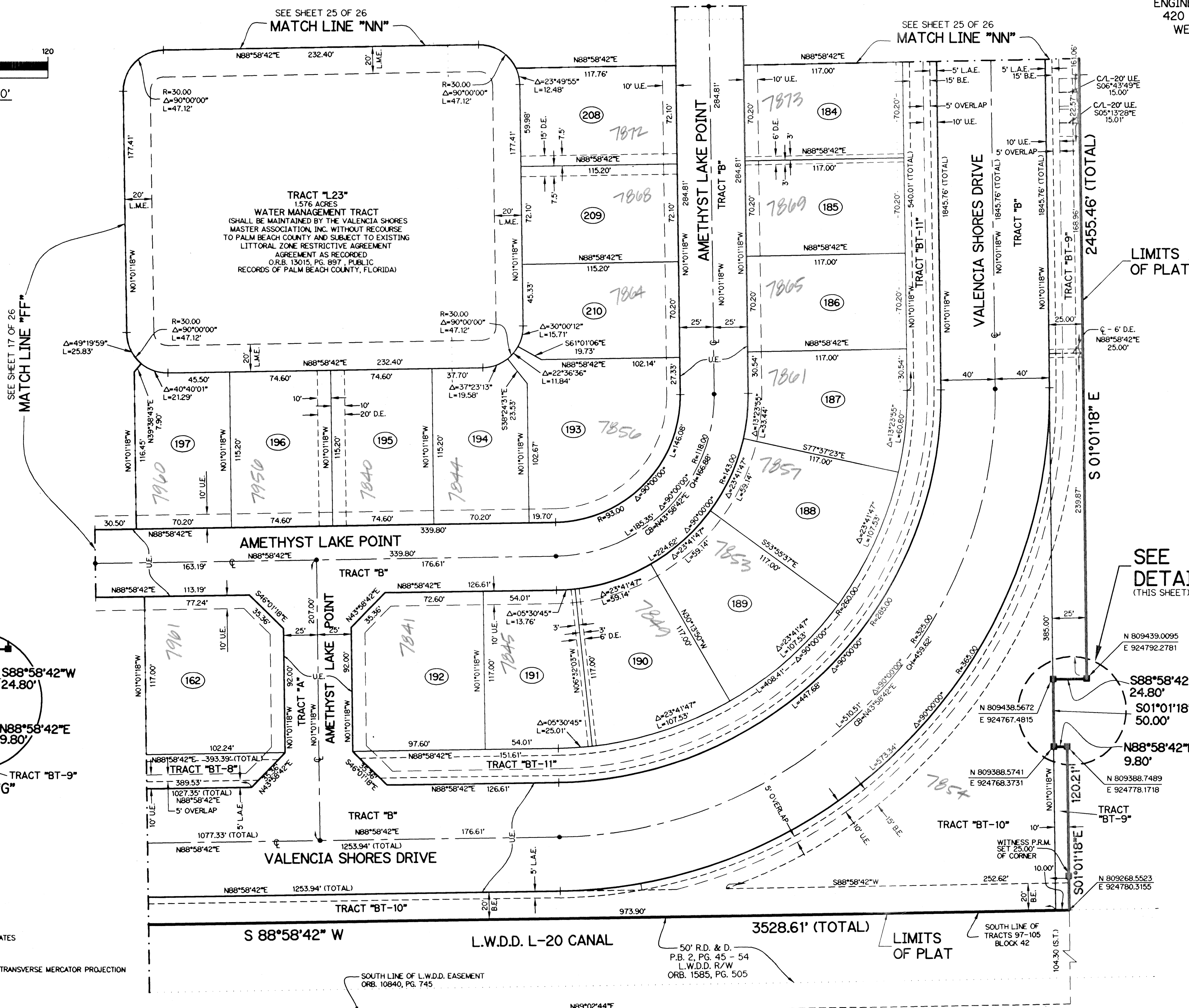
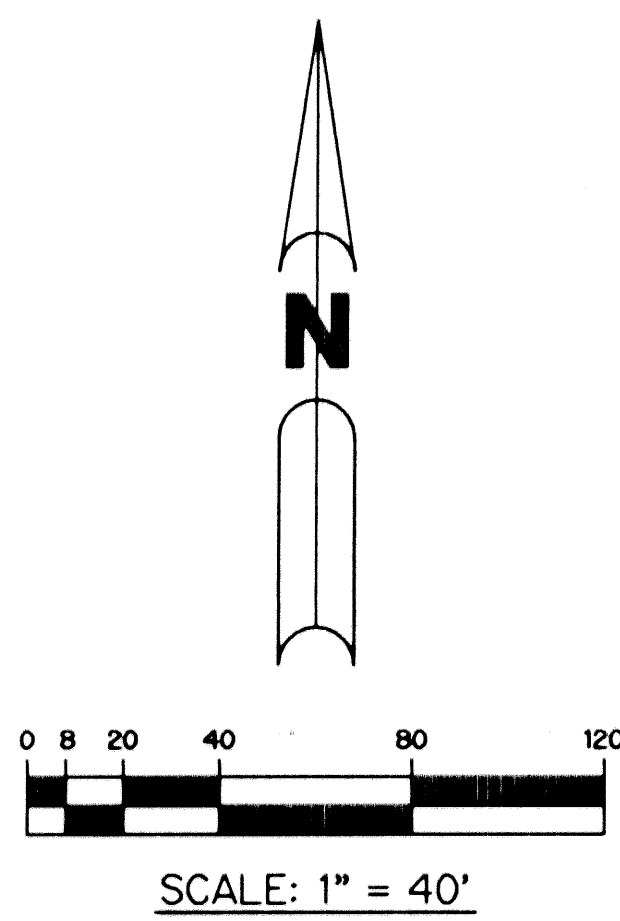


VALENCIA SHORES-PLAT ONE

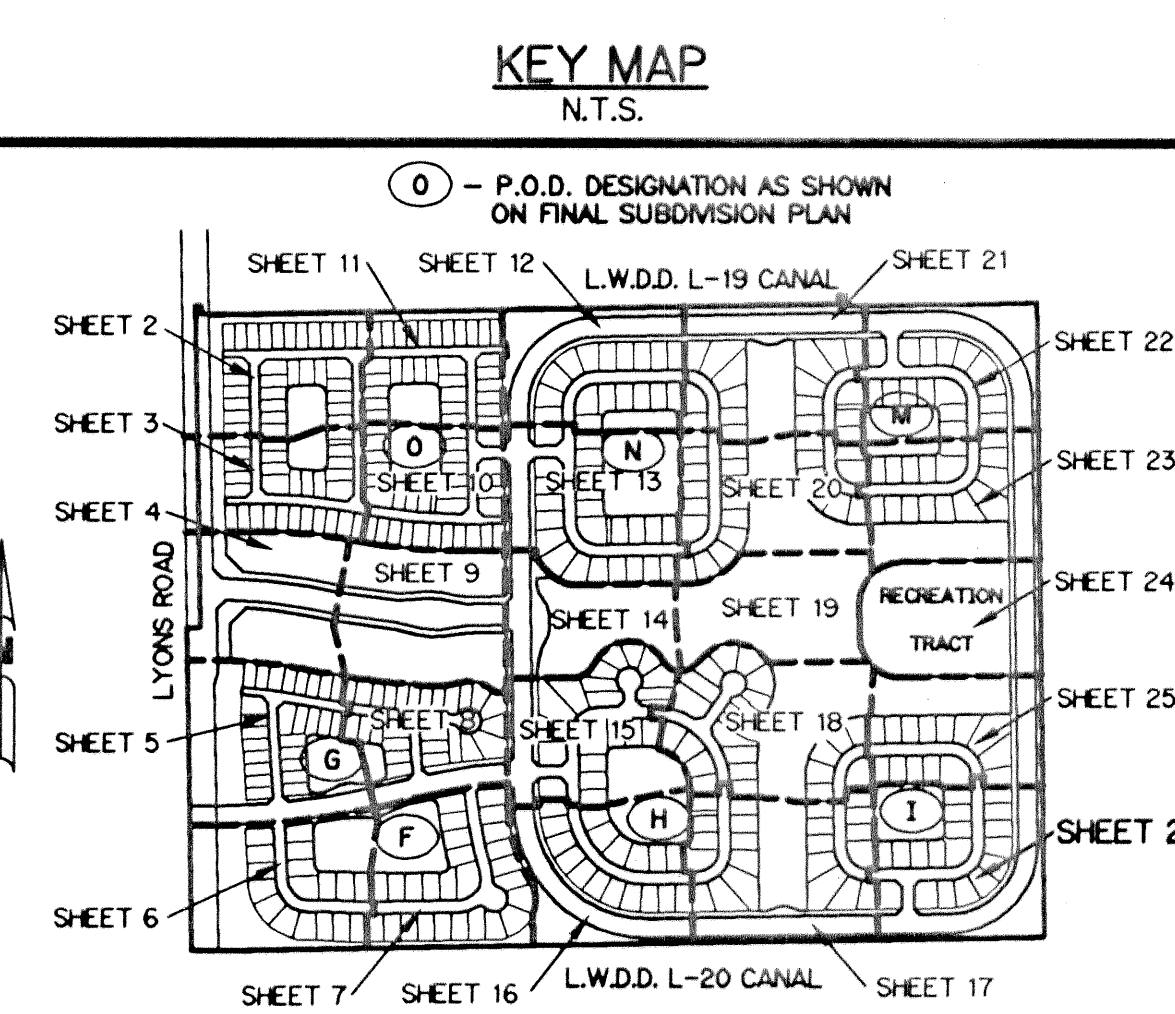
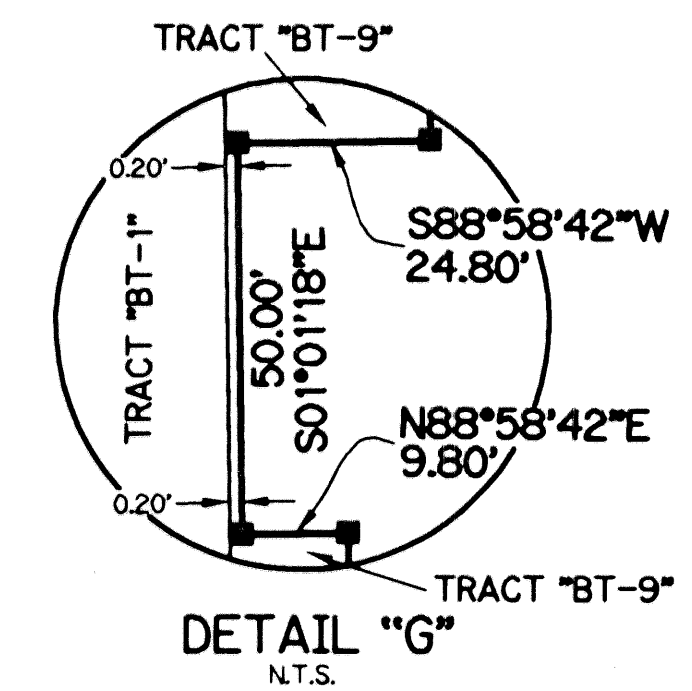
BEING A REPLAT OF A PORTION OF TRACTS 60 THROUGH 69, 79, 88 AND 105 AND ALL OF TRACTS 70 THROUGH 78 AND TRACTS 89 THROUGH 104, BLOCK 42 PALM BEACH FARMS COMPANY PLAT NO. 3 AS RECORDED IN PLAT BOOK 2, PAGES 45 THROUGH 54 OF THE PUBLIC RECORDS OF PALM BEACH COUNTY, FLORIDA. LYING IN SECTIONS 7 AND 8, TOWNSHIP 45 SOUTH, RANGE 42 EAST, PALM BEACH COUNTY, FLORIDA
 SHEET 26 OF 26 JUNE, 2001

THIS INSTRUMENT PREPARED BY
 PERRY C. WHITE, P.S.M. 4213, STATE OF FLORIDA
 LAWSON, NOBLE AND WEBB, INC., LB-6674
 ENGINEERS PLANNERS SURVEYORS
 420 COLUMBIA DRIVE, SUITE 110
 WEST PALM BEACH, FLORIDA



- LEGEND:**
- - SET PERMANENT REFERENCE MONUMENT, L.B. #6674
 - - FOUND PERMANENT REFERENCE MONUMENT, L.B. #6674
 - - SET PERMANENT CONTROL POINT, L.B. #6674
 - - FOUND PERMANENT CONTROL POINT, L.B. #6674
 - △ - DELTA ANGLE
 - B.E. - BUFFER EASEMENT
 - CB - CHORD BEARING
 - CH - CHORD DISTANCE
 - C - CENTERLINE
 - D.B. - DEED BOOK
 - D.E. - DRAINAGE EASEMENT
 - GRD. - GROUND
 - L - ARC LENGTH
 - L.A.E. - LIMITED ACCESS EASEMENT
 - L.M.A.E. - LAKE MAINTENANCE ACCESS EASEMENT
 - L.M.E. - LAKE MAINTENANCE EASEMENT
 - L.W.D.D. - LAKE WORTH DRAINAGE DISTRICT
 - NR. - NOT RADIAL
 - N.T.S. - NOT TO SCALE
 - O.E. - OVERHANG EASEMENT
 - O.R.B. - OFFICIAL RECORD BOOK
 - P.B. - PLAT BOOK
 - P.C. - POINT OF CURVATURE
 - P.C.P. - PERMANENT CONTROL POINT
 - P.D.E. - PRIVATE DRAINAGE EASEMENT
 - PGS. - PAGES
 - P.O.B. - POINT OF BEGINNING
 - P.O.C. - POINT OF COMMENCEMENT
 - P.S.M. - PROFESSIONAL SURVEYOR AND MAPPER
 - P.T. - POINT OF TANGENCY
 - R - RADIUS
 - RAD. - RADIAL
 - R.D. & D. - ROAD, DITCH & DYKE RESERVATION PER P.B. 2, PG. 45 - 54
 - R/W - RIGHT-OF-WAY
 - S.F. - SQUARE FEET
 - TYP. - TYPICAL
 - U.E. - UTILITY EASEMENT
 - P.B.F.C. - PALM BEACH FARMS COMPANY PLAT NO. 3 (P.B. 2, PGS. 45-54)
 - - DENOTES TRACT NUMBER PER PALM BEACH FARMS COMPANY PLAT NO. 3 (P.B. 2, PG. 45-54)
 - - DENOTES STATE PLANE COORDINATES

SEE DETAIL "G" (THIS SHEET)



NOTE:
 COORDINATES SHOWN ARE GRID COORDINATES
 DATUM = NAD 83 (1990 ADJUSTMENT)
 ZONE = FLORIDA EAST ZONE
 LINEAR UNIT = U.S. SURVEY FEET
 COORDINATE SYSTEM = 1983 STATE PLANE TRANSVERSE MERCATOR PROJECTION
 ALL DISTANCES ARE GROUND
 SCALE FACTOR = 1.0000217
 PLAT BEARING = GRID BEARING
 NO ROTATION

SUBDIVISION VALENCIA SHORES-PL 1
 BOOK 73 PAGE 113
 FLOOD MAP # 1857A
 ZONING P.U.D.
 QUAD # 49
 SE
 TAZ 744
 PUD NAME VALENCIA IV (VALENCIA SHORES)