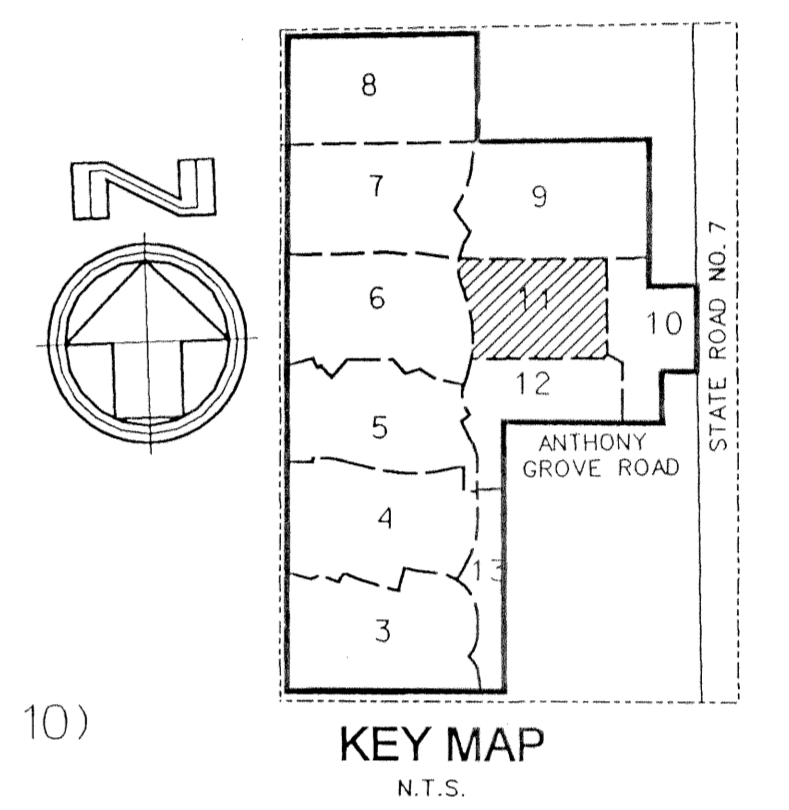
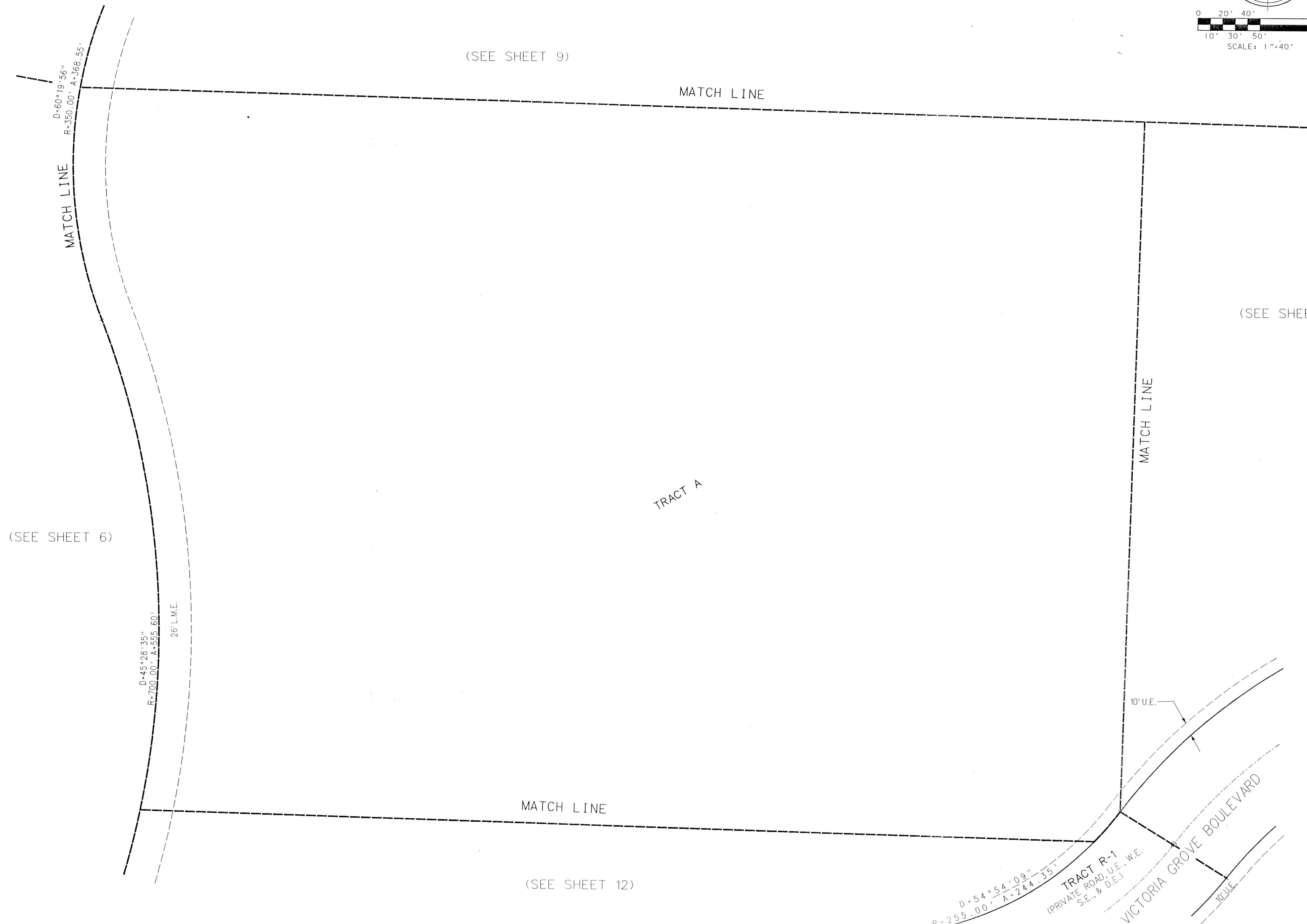
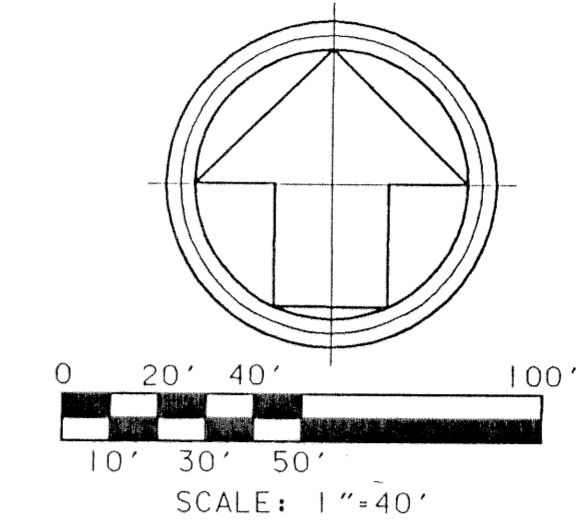


# ANTHONY GROVES PHASE 1

A PORTION OF SECTION 1, TOWNSHIP 44 SOUTH, RANGE 41 EAST,  
 VILLAGE OF ROYAL PALM BEACH, PALM BEACH COUNTY, FLORIDA



(SEE SHEET 10)

- LEGEND:**
- SET PERMANENT REFERENCE MONUMENT (P.R.M.) • LB2936 UNLESS OTHERWISE NOTED
  - PERMANENT CONTROL POINT (P.C.P.)
  - ▲ ZERO LOT SIDE
  - CENTERLINE
  - A ARC LENGTH
  - D DELTA (CENTRAL ANGLE)
  - D.E. DRAINAGE EASEMENT
  - L.A.E. LIMITED ACCESS EASEMENT
  - L.M.A.E. LAKE MAINTENANCE ACCESS EASEMENT
  - L.M.E. LAKE MAINTENANCE EASEMENT
  - L.S.E. LIFT STATION EASEMENT
  - L.W.D.D. LAKE WORTH DRAINAGE DISTRICT
  - N.R. NON-RADIAL
  - O.R.B. OFFICIAL RECORDS BOOK
  - PG. PAGE
  - P.B. PLAT BOOK
  - P.B.C.R. PALM BEACH COUNTY RECORDS
  - P.O.B. POINT OF BEGINNING
  - P.O.C. POINT OF COMMENCEMENT
  - P.U.D. PLANNED UNIT DEVELOPMENT
  - R RADIUS
  - R/W RIGHT-OF-WAY
  - SF SQUARE FEET
  - U.E. UTILITY EASEMENT
  - CH. CHORD
  - C.B. CHORD BEARING
  - W.E. WATER EASEMENT
  - S.E. SEWER EASEMENT