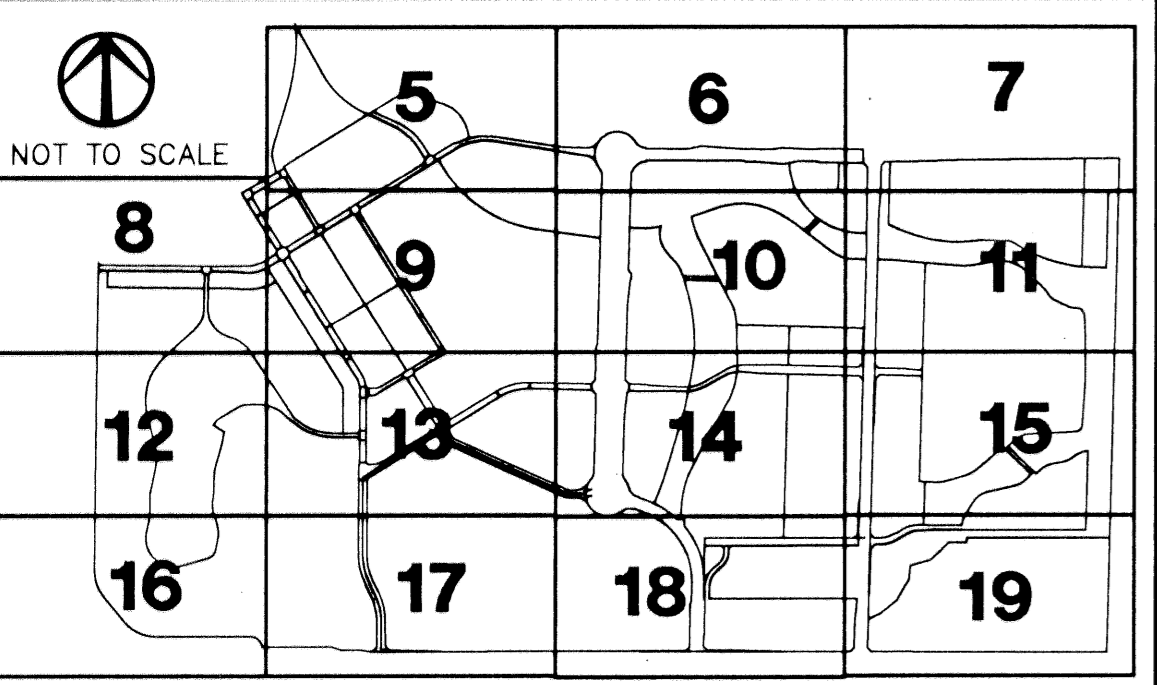




NOT TO SCALE



LOCATION MAP

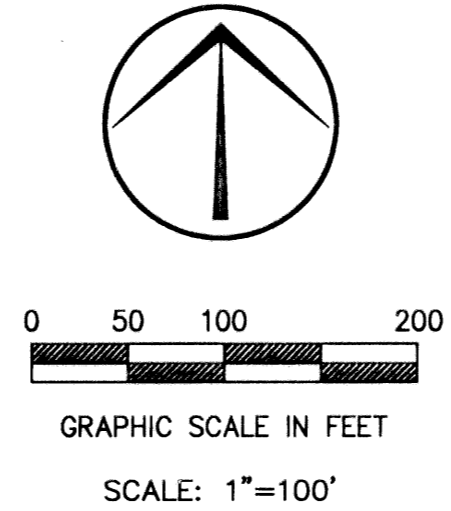
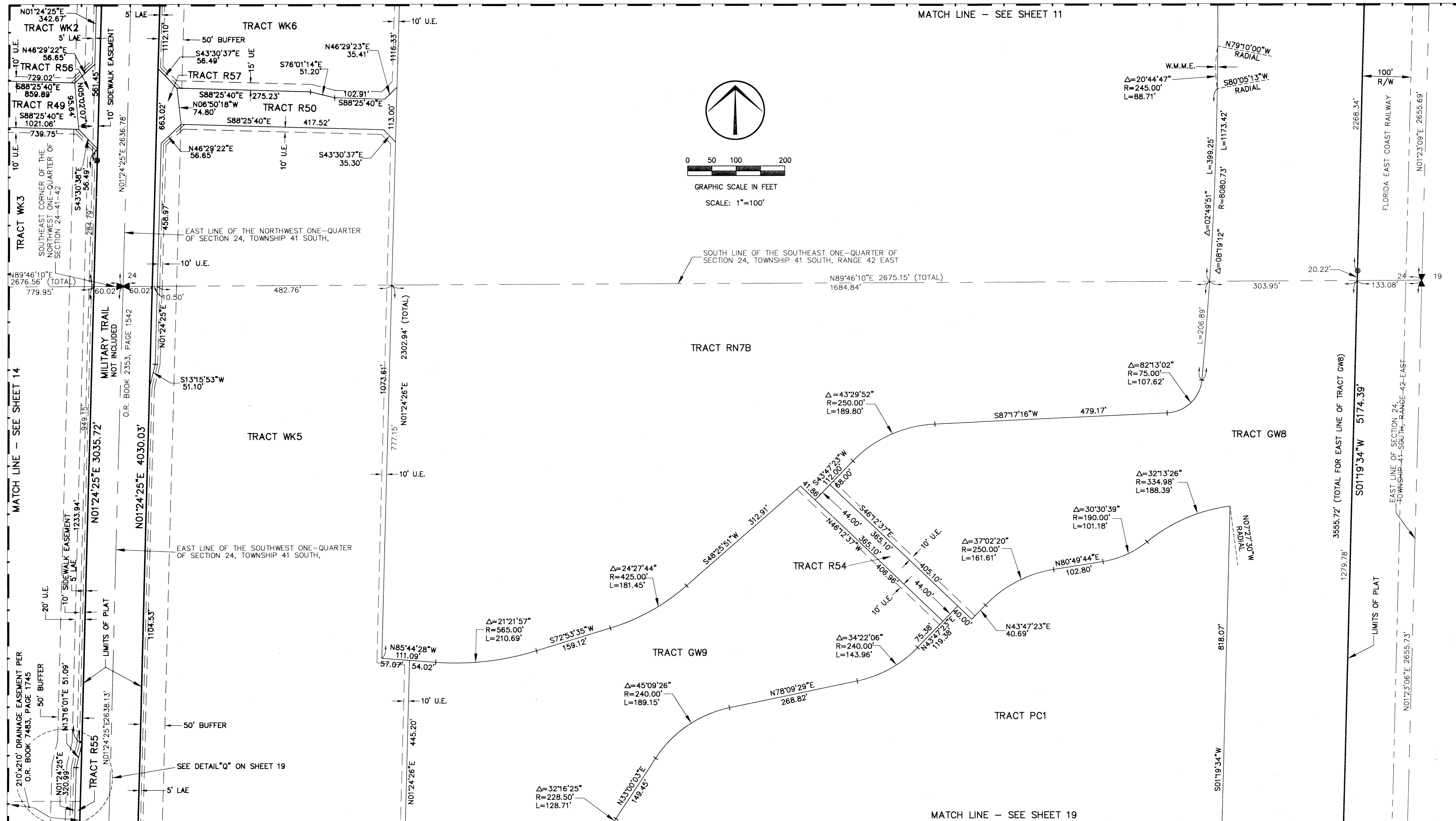
ABACOA PLAT NO. 1

A PORTION OF SECTIONS 13, 14, 23 AND 24, TOWNSHIP 41 SOUTH, RANGE 42 EAST
TOWN OF JUPITER, PALM BEACH COUNTY, FLORIDA

THIS INSTRUMENT PREPARED BY JAMES E. PARK, P.L.S.
WILLIAMS, HATFIELD & STONER, INC. - ENGINEERS PLANNERS SURVEYORS
1901 SOUTH CONGRESS AVENUE, SUITE 150, BOYNTON BEACH, FLORIDA 33426

159

SHEET 15 OF 19



MATCH LINE - SEE SHEET 11

MATCH LINE - SEE SHEET 19