

THIS INSTRUMENT WAS PREPARED BY:
CARNAHAN-PROCTOR AND ASSOCIATES, INC.
 SURVEYORS ENGINEERS PLANNERS
 6191 WEST ATLANTIC BLVD., MARGATE, FLORIDA 33063
 MARCH 1993 870606U JSH

BOCA GREENS (WEST PHASE) P.U.D.

208-016

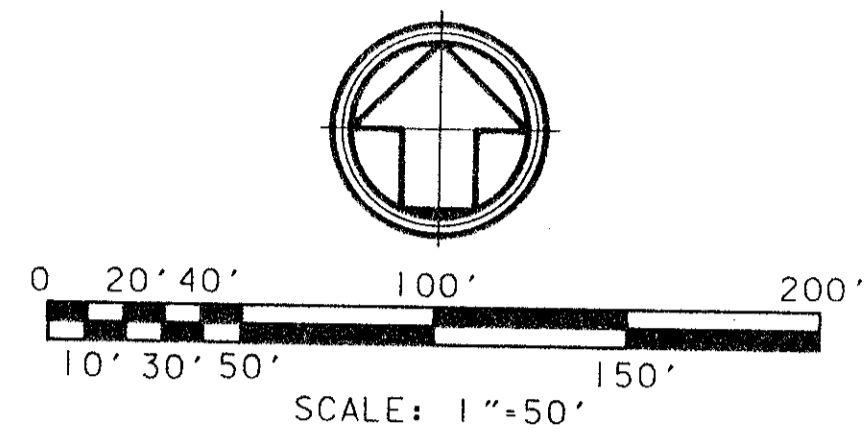
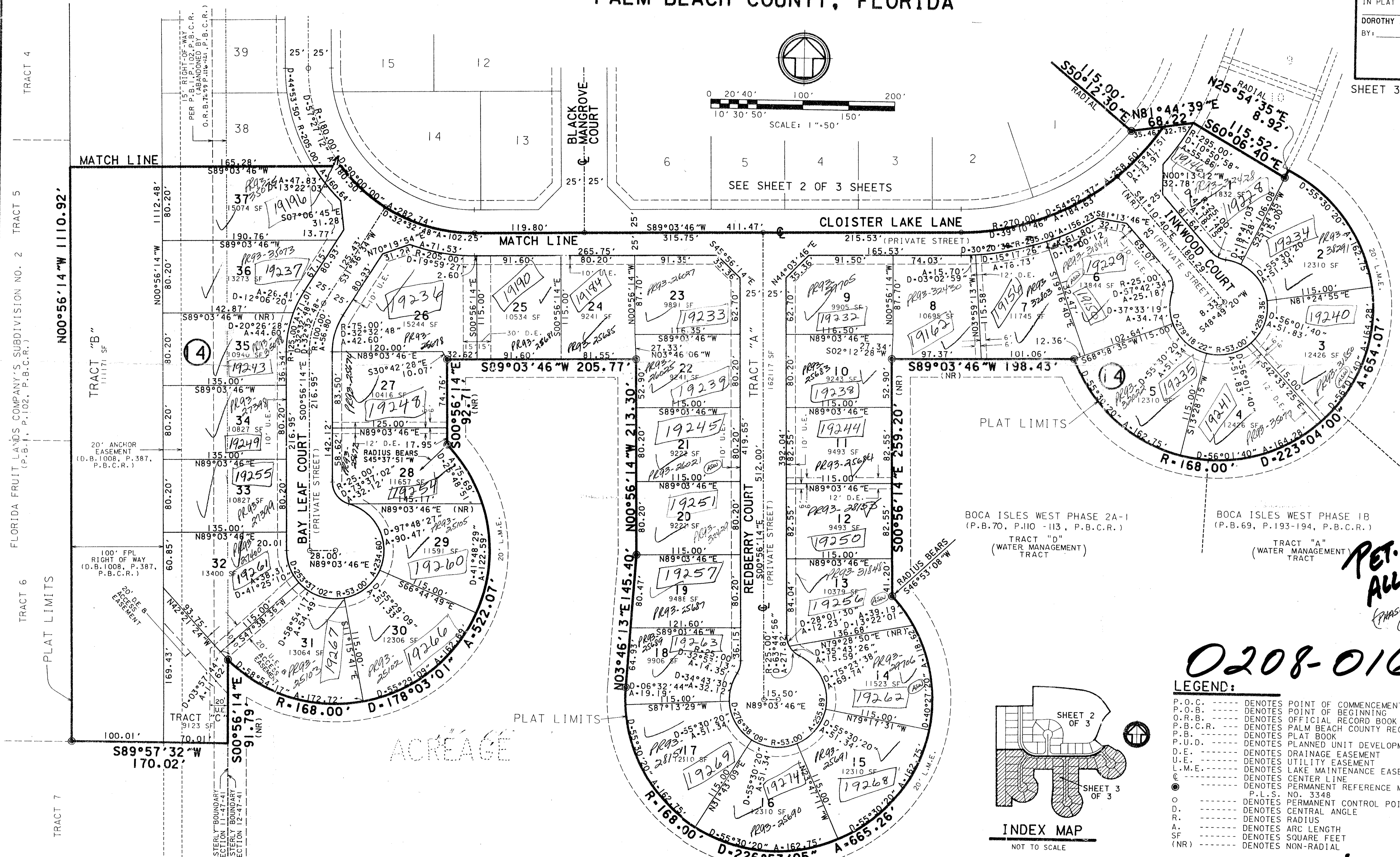
BOCA ISLES WEST PHASE 3B

A PORTION OF SECTION 12, TOWNSHIP 47 SOUTH, RANGE 41 EAST, AND A REPLAT OF PORTIONS OF TRACTS 3, 4, 5 AND 6, SECTION 11, TOWNSHIP 47 SOUTH, RANGE 41 EAST, "FLORIDA FRUIT LANDS COMPANY'S SUBDIVISION NO. 2", (P.B. 1, PG. 102, P.B.C.R.) AND A PORTION OF THE ABANDONED 15.00 FOOT WIDE ROAD RIGHT-OF-WAY (O.R.B. 7699, PGS. 116-121, P.B.C.R.)

PALM BEACH COUNTY, FLORIDA

STATE OF FLORIDA
 COUNTY OF PALM BEACH
 THIS PLAT WAS FILED FOR
 RECORD AT
 THIS DAY OF
 A.D., 199 AND DULY RECORDED
 IN PLAT BOOK ON PAGES
 THROUGH
 DOROTHY H. WILKEN, CLERK
 BY: DC

SHEET 3 OF 3 SHEETS



SEE SHEET 2 OF 3 SHEETS

BOCA ISLES WEST PHASE 2A-1
 (P.B. 70, P. 110-113, P.B.C.R.)

BOCA ISLES WEST PHASE 1B
 (P.B. 69, P. 193-194, P.B.C.R.)

TRACT "D"
 (WATER MANAGEMENT)
 TRACT

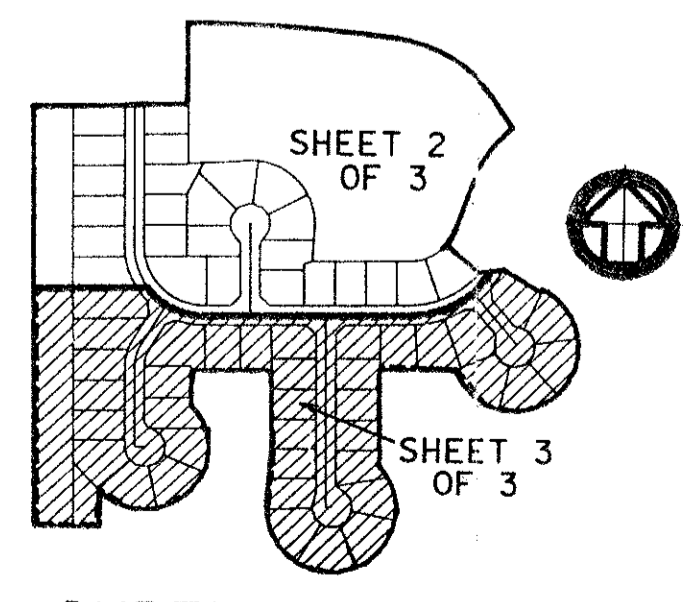
TRACT "A"
 (WATER MANAGEMENT)
 TRACT

PET. 77-131
ALWC. #0001
 (PHASE 3B BOCA GREENS PUD)

0208-016

LEGEND:

- P.O.C. ----- DENOTES POINT OF COMMENCEMENT
- P.O.B. ----- DENOTES POINT OF BEGINNING
- O.R.B. ----- DENOTES OFFICIAL RECORD BOOK
- P.B.C.R. ----- DENOTES PALM BEACH COUNTY RECORDS
- P.B. ----- DENOTES PLAT BOOK
- P.U.D. ----- DENOTES PLANNED UNIT DEVELOPMENT
- D.E. ----- DENOTES DRAINAGE EASEMENT
- U.E. ----- DENOTES UTILITY EASEMENT
- L.M.E. ----- DENOTES LAKE MAINTENANCE EASEMENT
- C ----- DENOTES CENTER LINE
- ----- DENOTES PERMANENT REFERENCE MONUMENT
- P.L.S. NO. 3348 ----- DENOTES PERMANENT CONTROL POINT (P.C.P.)
- O ----- DENOTES CENTRAL ANGLE
- R ----- DENOTES RADIUS
- A ----- DENOTES ARC LENGTH
- SF ----- DENOTES SQUARE FEET
- (NR) ----- DENOTES NON-RADIAL



INDEX MAP
 NOT TO SCALE

BOCA ISLES WEST PHASE 3B 7/2002

FLOOD MAP # 1008
 ZONING
 ZIP CODE 33498 (33494)
 SE
 PUD NAME Boca Greens, P.U.D.
 25/11/11

TAZ=881

ACREAGE