

# LAKE CHARLESTON PARCEL "K"

BEING A REPLAT OF TRACT K AND A PORTION OF EDISTO DRIVE OF LAKE CHARLESTON PLAT No. 3 AS RECORDED IN PLAT BOOK 62, PAGES 55-68, PUBLIC RECORDS PALM BEACH COUNTY, FLORIDA SECTION 9, TOWNSHIP 45 SOUTH, RANGE 42 EAST,

PALM BEACH COUNTY, FLORIDA  
A PART OF LAKE CHARLESTON PLANNED UNIT DEVELOPMENT

PREPARED BY  
**WILLIAM A. HALL, P.L.S.**  
**AVIROM-HALL and ASSOCIATES, INC.**  
LAND SURVEYING / LAND DEVELOPMENT CONSULTANTS  
50 S.W. 2nd AVENUE, SUITE 102  
BOCA RATON, FLORIDA 33432  
NOVEMBER, 1991

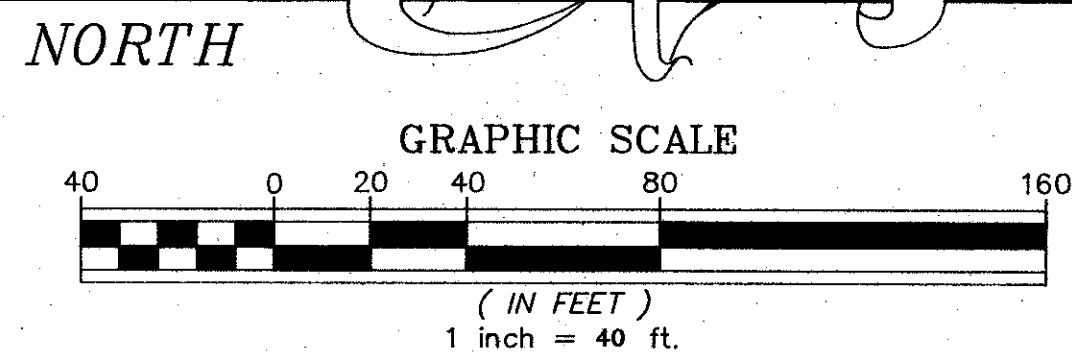
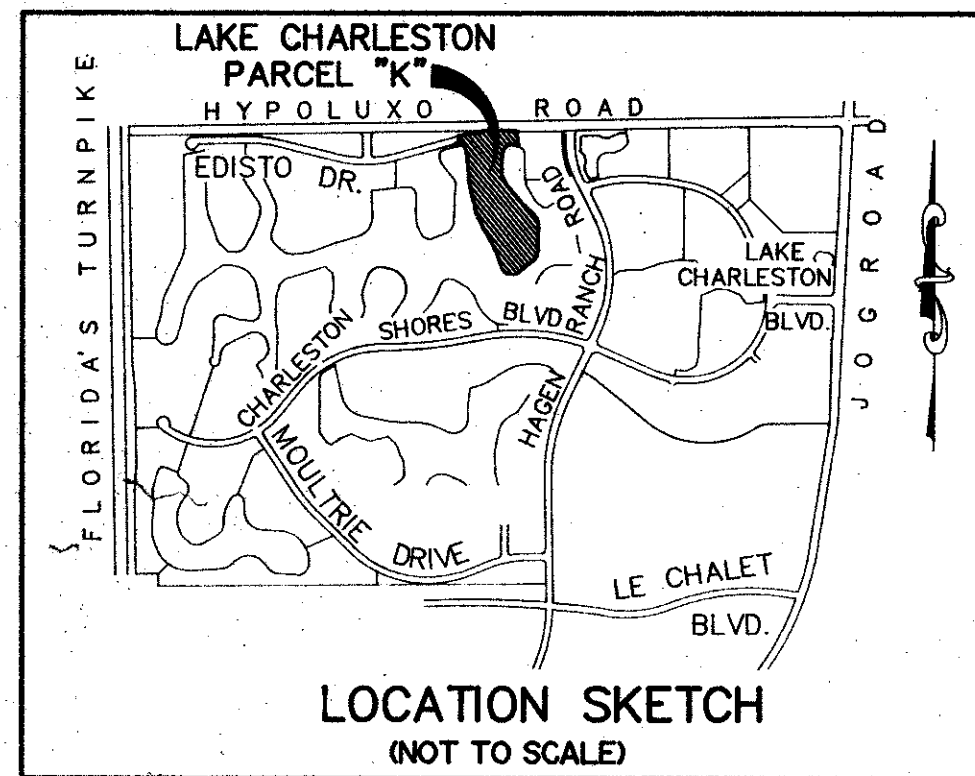
# 190

STATE OF FLORIDA  
COUNTY OF PALM BEACH

This plat was filed for record at this \_\_\_ day of \_\_\_\_\_ 1991 and duly recorded in Plat Book \_\_\_\_\_ on pages \_\_\_\_\_ through \_\_\_\_\_

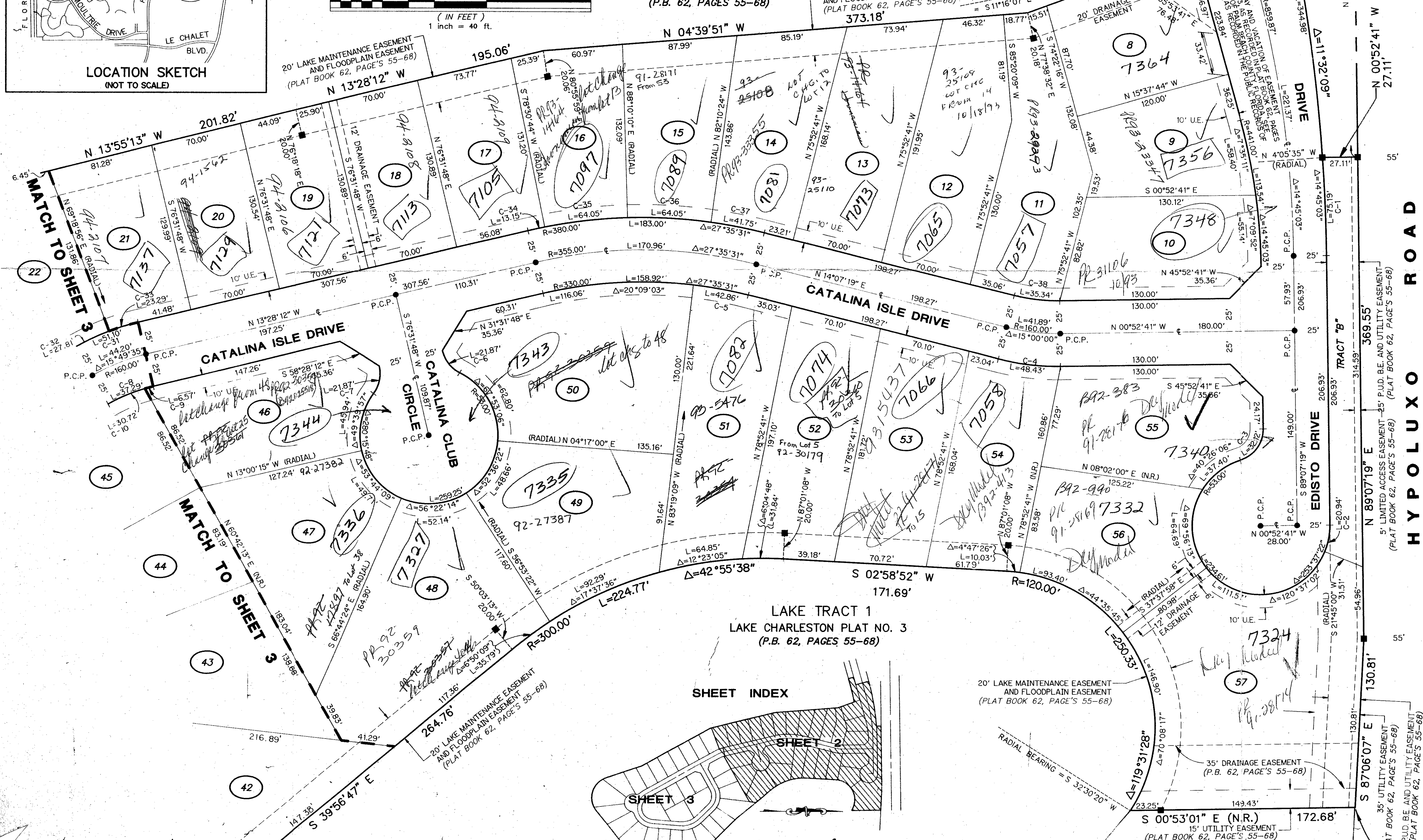
Milton T. Bauer  
Clerk of Circuit Court  
By: \_\_\_\_\_

SHEET 2 of 3



LAKE TRACT 1  
LAKE CHARLESTON PLAT NO. 3  
(P.B. 62, PAGES 55-68)

20' LAKE MAINTENANCE EASEMENT AND FLOODPLAIN EASEMENT (PLAT BOOK 62, PAGE'S 55-68)  
373.18'

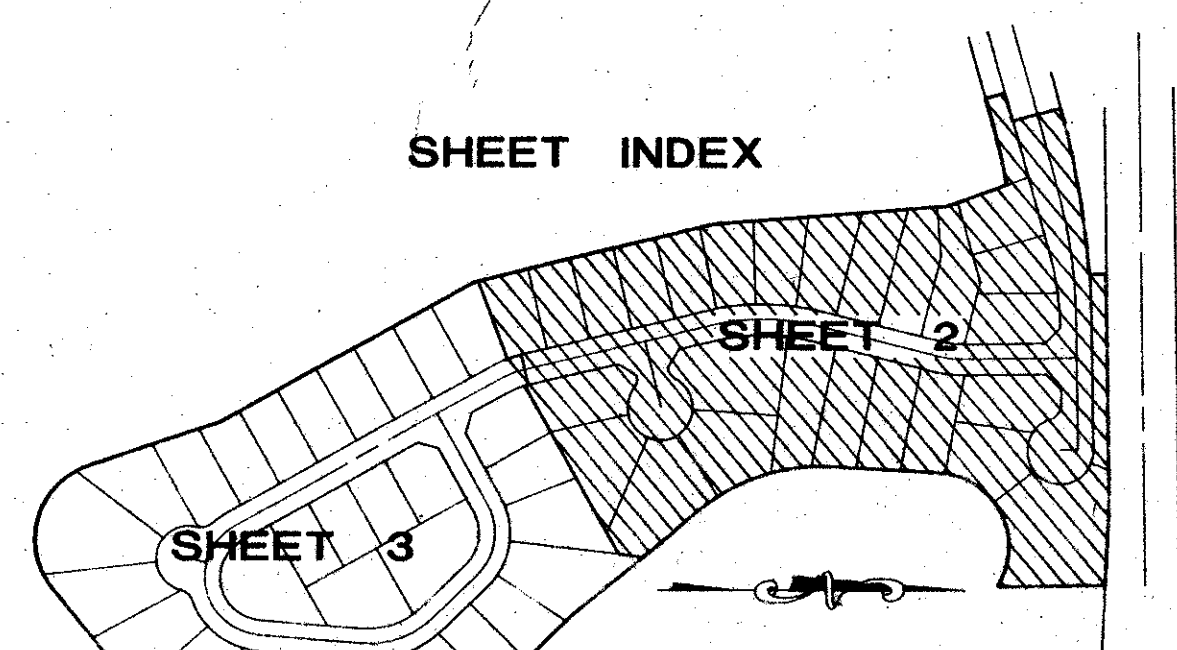


CURVE TABLE

CURVE	RADIUS	LENGTH	DELTA
C-1	1340.00'	75.19'	03°12'54"
C-2	53.00'	20.94'	22°38'01"
C-3	25.00'	32.12'	73°37'02"
C-4	185.00'	48.43'	15°00'00"
C-5	330.00'	42.86'	07°26'28"
C-6	25.00'	21.87'	50°07'54"
C-7	25.00'	21.87'	50°07'54"
C-8	135.00'	37.29'	15°49'35"
C-9	135.00'	6.57'	02°47'22"
C-10	135.00'	30.72'	13°02'13"
C-11	120.00'	16.34'	07°48'06"
C-12	120.00'	58.47'	27°54'58"
C-13	120.00'	58.47'	27°54'58"
C-14	120.00'	23.04'	11°00'09"
C-15	170.00'	10.21'	03°26'25"
C-16	170.00'	60.01'	20°13'34"
C-17	170.00'	60.01'	20°13'34"
C-18	170.00'	16.32'	05°29'56"
C-19	120.00'	24.71'	11°48'01"
C-20	120.00'	65.85'	31°26'32"
C-21	120.00'	49.88'	23°48'49"
C-22	25.00'	25.07'	57°27'26"
C-23	53.00'	63.78'	68°57'08"
C-24	53.00'	40.97'	44°17'42"
C-25	53.00'	61.75'	66°45'10"
C-26	25.00'	25.07'	57°27'26"
C-27	120.00'	28.97'	13°49'49"
C-28	120.00'	103.45'	49°23'29"
C-29	120.00'	87.52'	41°47'19"
C-30	120.00'	15.92'	07°36'10"
C-31	185.00'	51.10'	15°49'35"
C-32	185.00'	27.81'	08°36'43"
C-33	185.00'	23.29'	07°12'52"
C-34	380.00'	13.15'	01°58'56"
C-35	380.00'	64.05'	09°39'26"
C-36	380.00'	64.05'	09°39'26"
C-37	380.00'	41.75'	06°17'43"
C-38	135.00'	35.34'	15°00'00"

SHEET INDEX

LAKE TRACT 1  
LAKE CHARLESTON PLAT NO. 3  
(P.B. 62, PAGES 55-68)



LAKE CHARLESTON K

0533-014  
PET. 86-96  
ALOC #0002  
68/190

P.O.B.  
N.E. COR. TRACT K  
LAKE CHARLESTON PLAT NO. 3 (P.B. 62 PGS. 55-68)

(Right-of-Way Varies)

TAZ = 439

JE 190  
LOC MAP #185A  
ZONING RT5/SE  
ZIP CODE 33467

DMZ

C.S. 33-014