

(A P.U.D.)

316-009

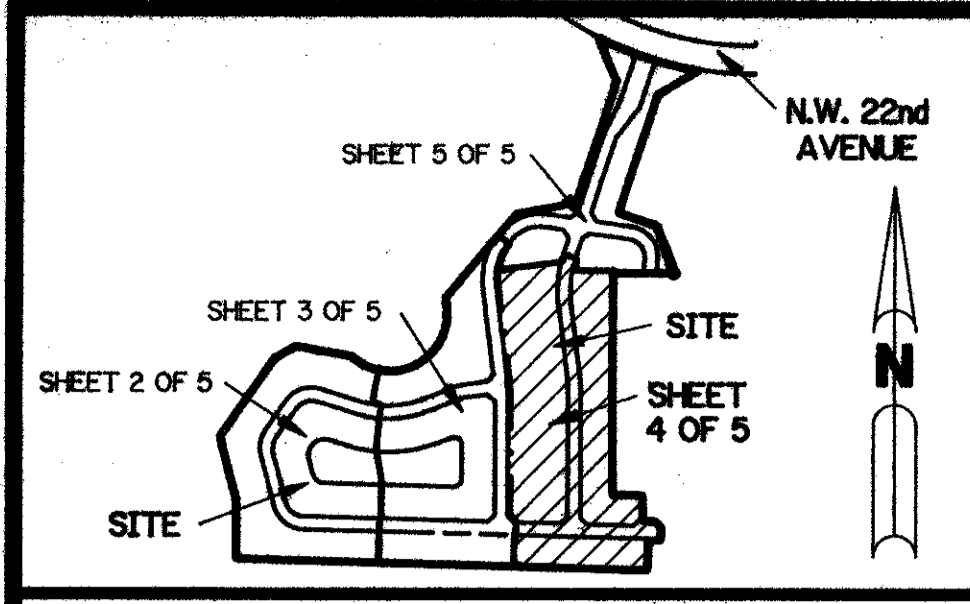
# RAINBOW LAKES - TRACT "B" - PHASE ONE

# 175

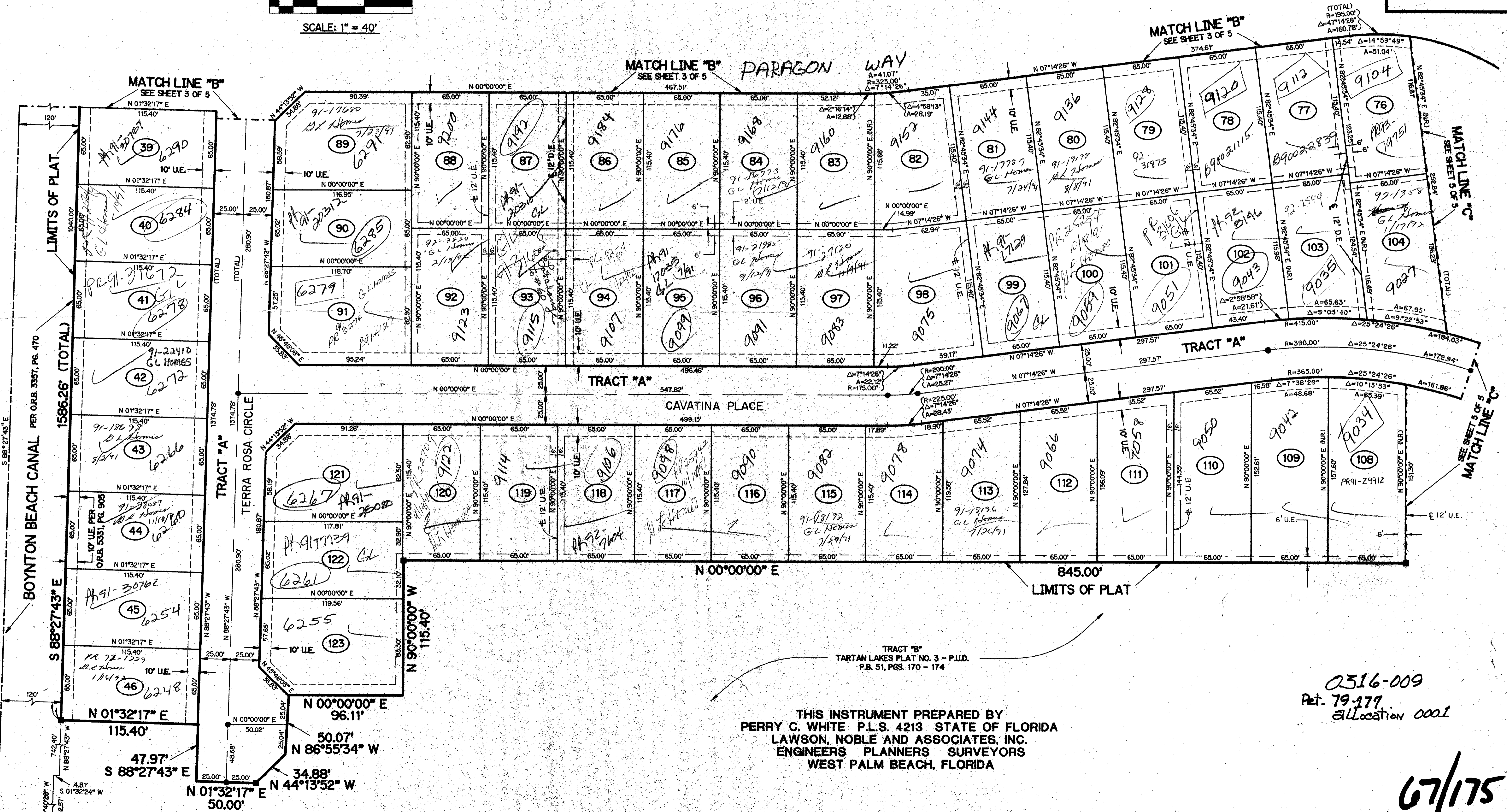
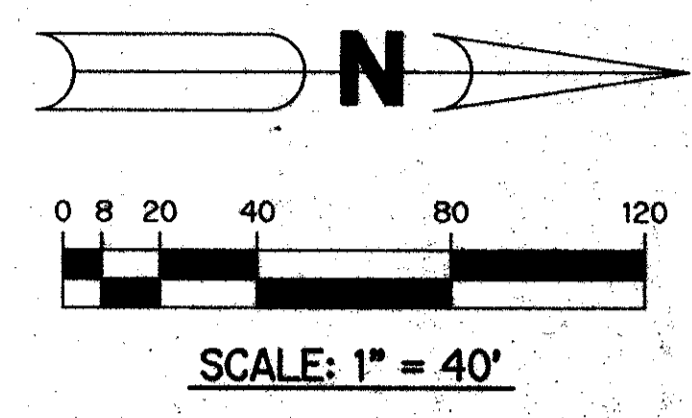
A REPLAT OF A PORTION OF TRACT "B" ACCORDING TO THE PLAT OF TARTAN LAKES PLAT NO. 3 - P.U.D. AS RECORDED IN PLAT BOOK 51, PAGES 170 THROUGH 174, INCLUSIVE, OF THE PUBLIC RECORDS OF PALM BEACH COUNTY, FLORIDA. SECTIONS 15 AND 22, TOWNSHIP 45 SOUTH, RANGE 42 EAST

SHEET 4 OF 5

MARCH, 1990



KEY MAP  
N.T.S.



THIS INSTRUMENT PREPARED BY  
PERRY C. WHITE P.L.S. 4213 STATE OF FLORIDA  
LAWSON, NOBLE AND ASSOCIATES, INC.  
ENGINEERS PLANNERS SURVEYORS  
WEST PALM BEACH, FLORIDA

0316-009  
Pet. 79-177  
Allocation 0001

RAINBOW LAKES - TRACT "B" - PHASE ONE SHEET 4 OF 5

67/175

FND. P.R.M. # 2424  
0.47 SOUTH  
0.51 WEST  
S.E. CORNER OF TRACT L-3  
TARTAN LAKES PLAT NO. 3 - P.U.D.  
(P.B. 51, PGS. 170-174)

TAZ 441

BOOK 67  
PAGE 175  
FLOOD ZONE B  
ROAD # 3405  
ZONING KTS (RD)  
SR 19 07  
RUD NAME  
S.W. 1/4 19 07