

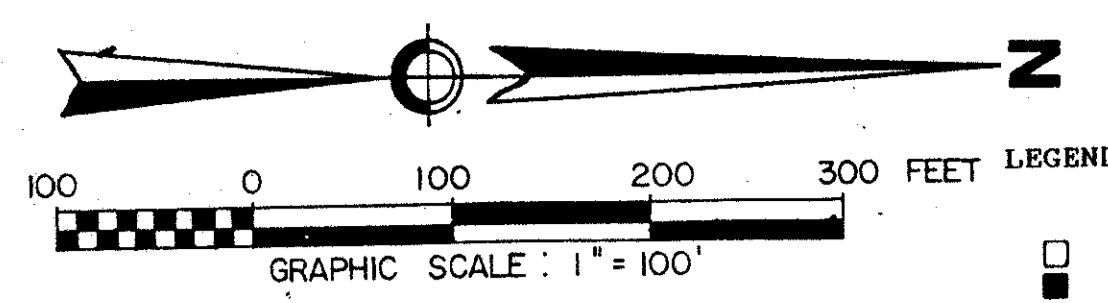
PLAT OF **PALM BEACH DOWNS**. A P.U.D.
BEING A PART OF SECTION 13 TOWNSHIP 46 SOUTH, RANGE 41 EAST.
PALM BEACH COUNTY, FLORIDA.

MARCH 1989

BEARING BASE:
THE WEST LINE OF SECTION 13 IS TAKEN AS BEING N 00°50'22" W
AND ALL OTHER BEARINGS ARE RELATIVE THERETO.

This instrument was filed for
record at _____ M. this _____
day of _____, 19____
and duly recorded in official
record book _____ on page _____

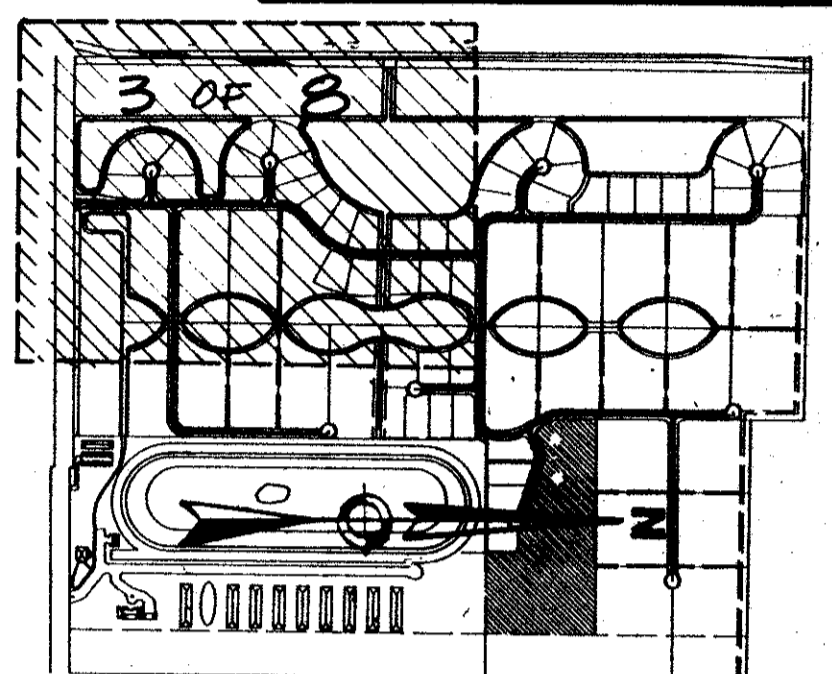
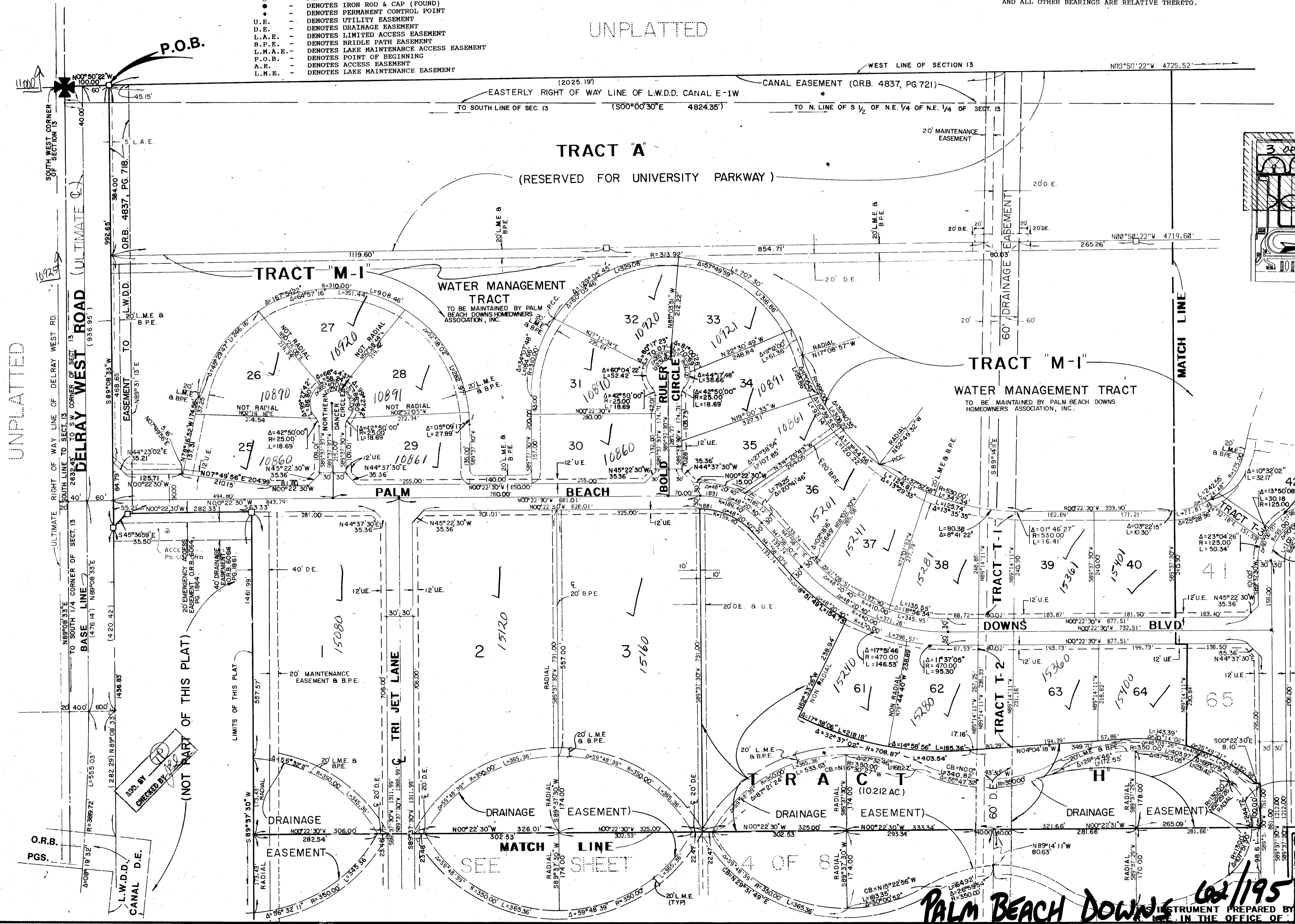
JOHN B. DUNKLE,
Clerk Circuit Court
By: _____, D.C.



© COPYRIGHT 1988 BY SHALLOWAY, FOY,
SCHOFIELD, RAYMAN & NEWELL, INC. THIS DRAWING
IS PROVIDED FOR INFORMATIONAL PURPOSES ONLY.
UNLESS SIGNED AND SEALED BY A REGISTERED
PROFESSIONAL SURVEYOR REPRESENTING SHALLOWAY,
FOY, SCHOFIELD, RAYMAN & NEWELL, INC.

- LEGEND:
- DENOTES PERMANENT REFERENCE MONUMENT (SET)
 - DENOTES PERMANENT REFERENCE MONUMENT (FOUND)
 - DENOTES IRON ROD & CAP (SET)
 - DENOTES IRON ROD & CAP (FOUND)
 - DENOTES PERMANENT CONTROL POINT
 - DENOTES UTILITY EASEMENT
 - DENOTES DRAINAGE EASEMENT
 - DENOTES LIMITED ACCESS EASEMENT
 - DENOTES BRIDLE PATH EASEMENT
 - DENOTES LAKE MAINTENANCE ACCESS EASEMENT
 - DENOTES LAKE MAINTENANCE EASEMENT
 - DENOTES POINT OF BEGINNING
 - DENOTES ACCESS EASEMENT
 - DENOTES LAKE MAINTENANCE EASEMENT

UNPLATTED



UNPLATTED

SUBDIVISION * Palm Beach Downs
BOOK GZ PAGE 195
FLOOD ZONE B FLOOD MAP # 100-E
QUAD # 69 ZONING # R-87-70
SE 1/4 AC 14
ZIP CODE 33446
PUD NAME Palm Beach Downs

T&Z 757

NOT PART OF THIS PLAT
(NOT PART OF THIS PLAT)
CHECKED BY [Signature]

Ret. 87-70

0436-001

Shalloway, Foy,
Rayman & Nev
Engineers & Planners & Survey
Telephone: (305) 555-1151
1201 Delvedere Road, West Palm Beach, FL 33411
DATE 12/23/87
DRAWN [Signature]
CHECKED G.R.
JOB NO. 85

PALM BEACH DOWNS 62/195
IN THE OFFICE OF