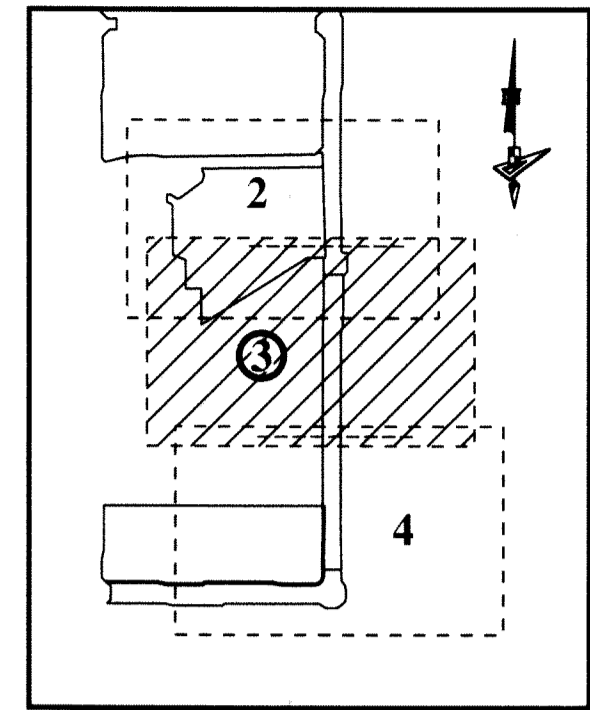


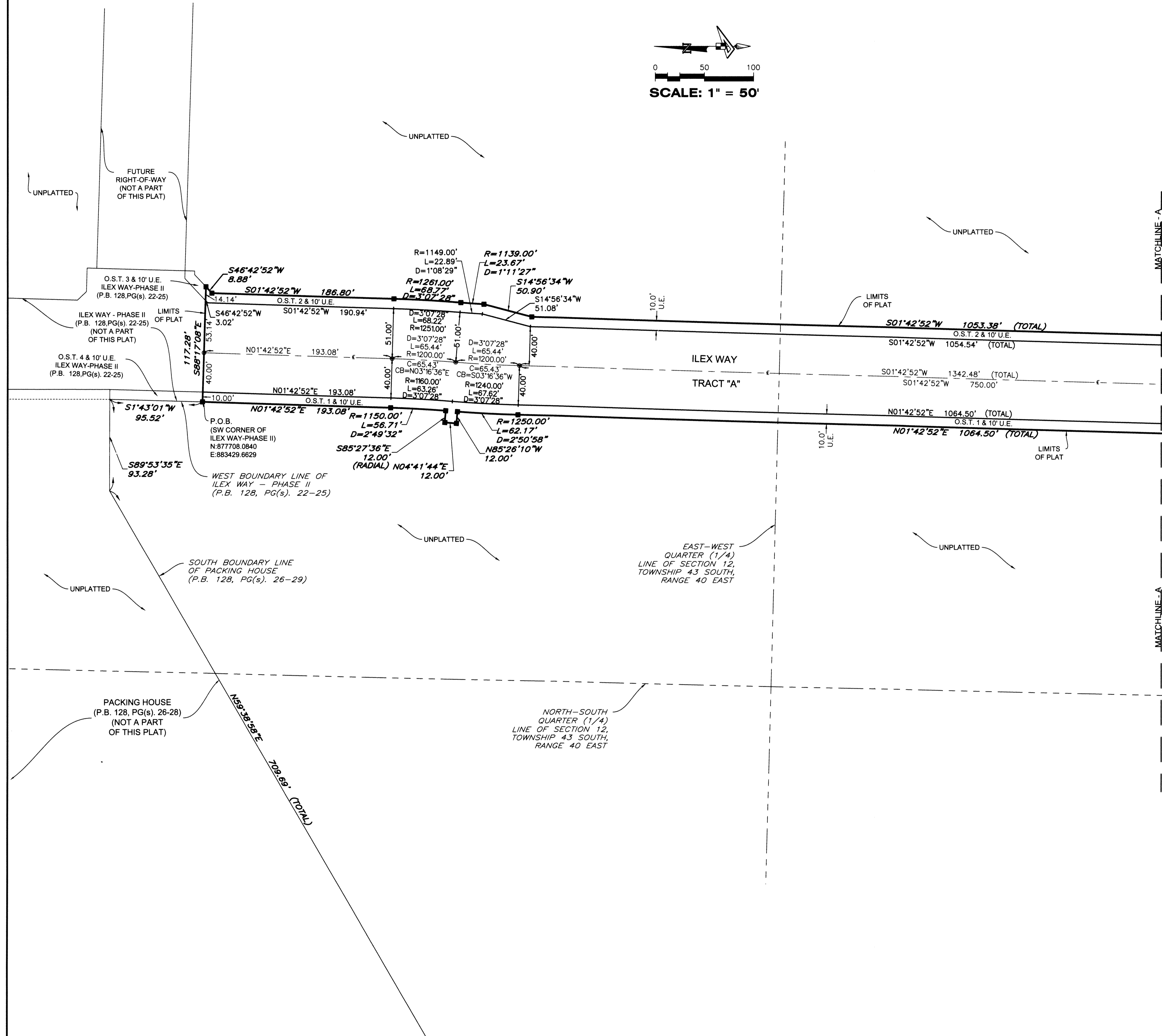
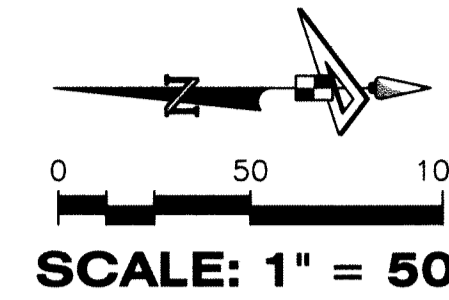
ILEX WAY - PHASE III

BEING A PLAT OF A PORTION OF
SECTION 12, TOWNSHIP 43 SOUTH, RANGE 40 EAST,
CITY OF WESTLAKE, PALM BEACH COUNTY, FLORIDA

SHEET MAP
(NOT TO SCALE)



133



LEGEND

- P.O.B. ----- POINT OF BEGINNING
- P.B. ----- PLAT BOOK
- D.B. ----- DEED BOOK
- PG./PG(s) ----- PAGE(S)
- O.S.T. ----- OPEN SPACE TRACT
- P.B.C. ----- PALM BEACH COUNTY
- R.P.B. ----- ROAD PLAT BOOK
- LB ----- LICENSED BUSINESS
- U.E. ----- UTILITY EASEMENT
- R/W ----- RIGHT-OF-WAY
- CL ----- CENTERLINE
- R ----- RADIUS
- L ----- ARC LENGTH
- D ----- DELTA-CENTRAL ANGLE
- C ----- CHORD
- CB ----- CHORD BEARING
- 12-43-40 ----- SECTION-TOWNSHIP-RANGE
- ----- FOUND PERMANENT REFERENCE MONUMENT
- ----- SET PERMANENT REFERENCE MONUMENT
- ----- PERMANENT CONTROL POINT