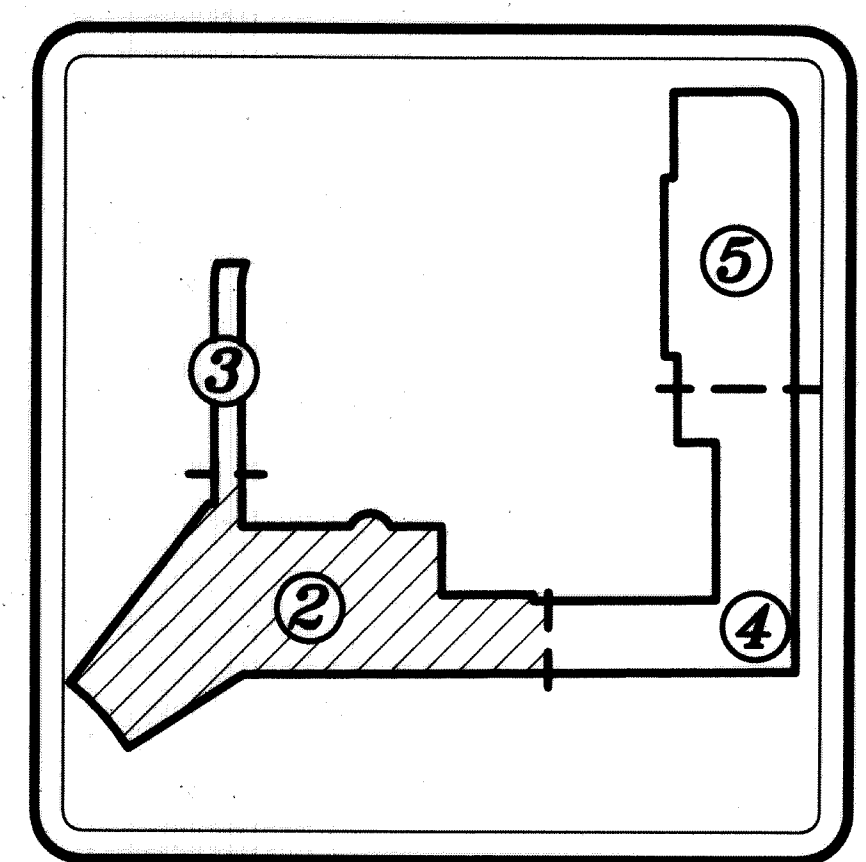


THE RICHARD AND CAROLE SIEMENS JEWISH CAMPUS REPLAT NO. 2

A REPLAT OF ALL OF, THE RICHARD AND CAROLE SIEMENS JEWISH CAMPUS REPLAT NO. 1, PLAT BOOK 112, PAGES 55 THROUGH 56 AND TRACTS A, C AND G OF, THE RICHARD AND CAROLE SIEMENS JEWISH CAMPUS, PLAT BOOK 64, PAGES 136 THROUGH 138, INCLUSIVE OF THE PUBLIC RECORDS, PALM BEACH COUNTY, FLORIDA. LYING AND SITUATE IN SECTION 19, TOWNSHIP 47 SOUTH, RANGE 42 EAST, PALM BEACH COUNTY, FLORIDA.



KEY MAP
(NOT TO SCALE)

13 18
24 19
NORTHWEST CORNER
SECTION 19,
TOWNSHIP 47 SOUTH,
RANGE 42 EAST
FND. PALM BEACH
COUNTY GRASS DISC
CCR 52470
N 738993.8900
E 917059.4240
PALM BEACH
COUNTY POSITION

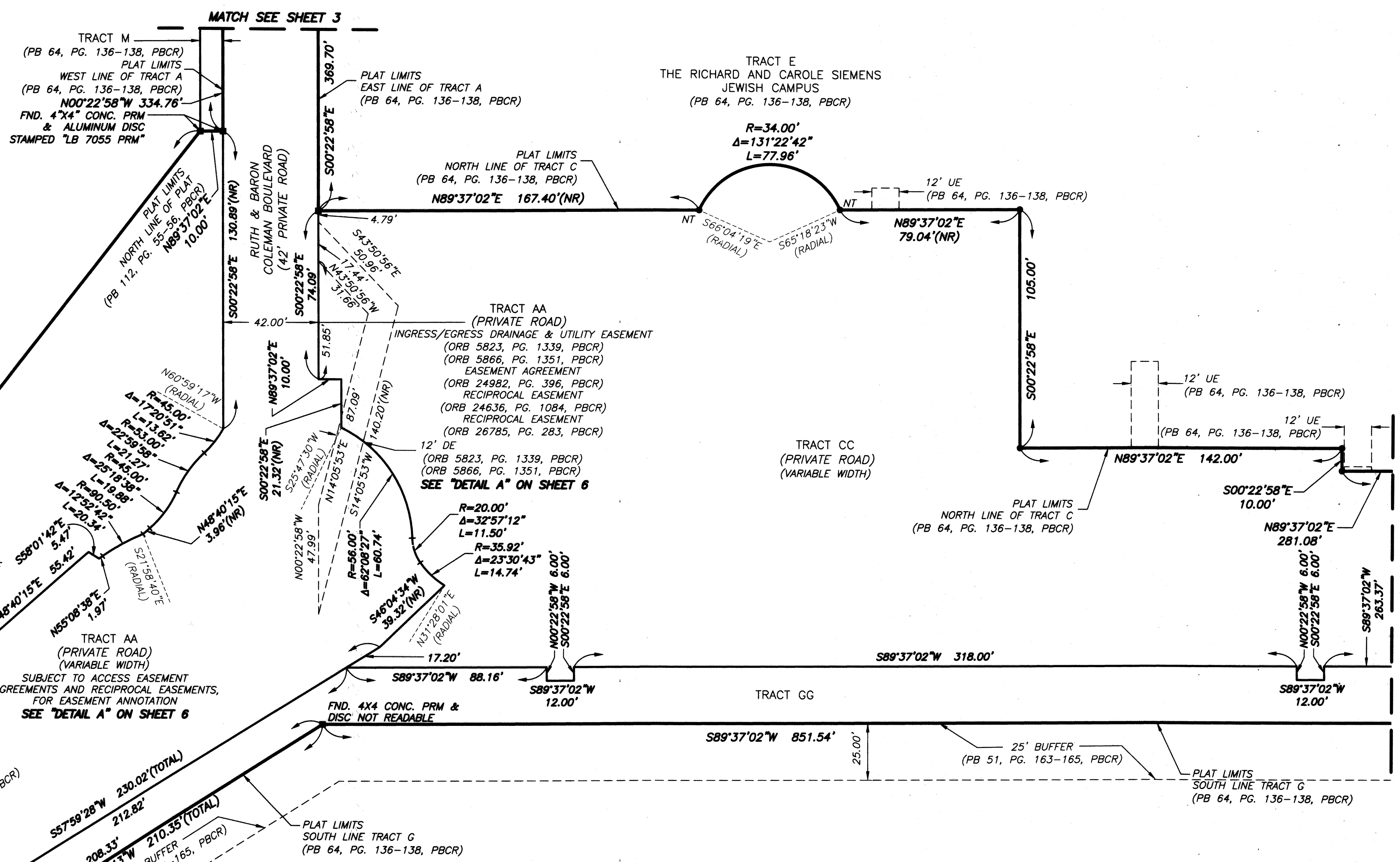
MENORAH HOUSE
(PB 63, PG. 14-15, PBCR)

(BASIS OF BEARINGS)
WEST LINE SECTION 19,
TOWNSHIP 47 SOUTH, RANGE
42 EAST
N00°53'51"W GRD 3401.96' GROUND

POINT OF BEGINNING
SOUTHWEST CORNER
THE RICHARD
AND CAROLE SIEMENS
JEWISH CAMPUS REPLAT NO. 1
(PB 112, PG. 55-56, PBCR)

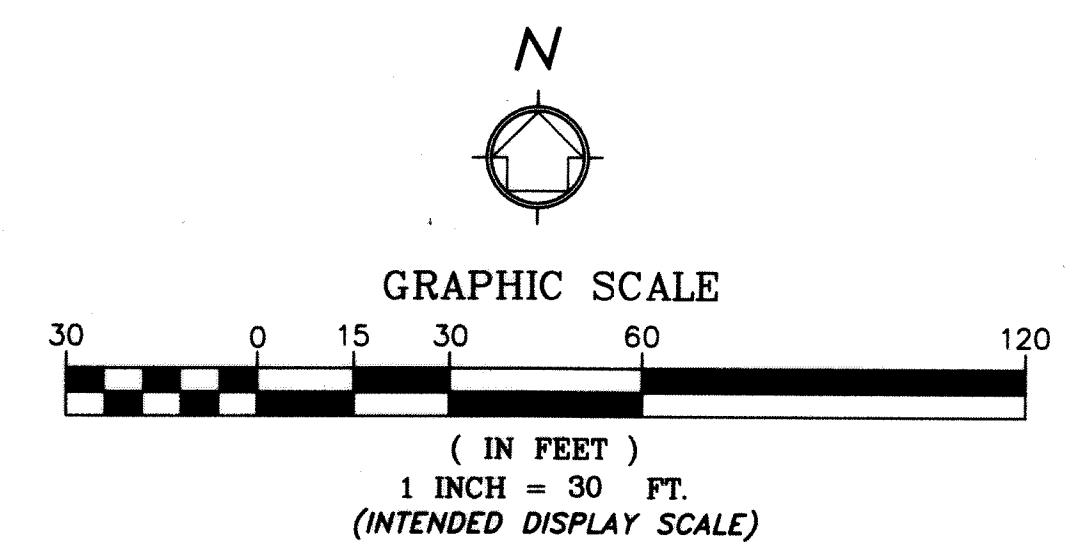
RAINBERRY WEST BOCA PLAT NO. 1
(PB 61, PG. 137-139, PBCR)

SOUTHWEST CORNER
SECTION 19,
TOWNSHIP 47 SOUTH,
RANGE 42 EAST
CCR 52498
N 733592.4830
E 917144.0400
PALM BEACH
COUNTY POSITION
(NOT FOUND) 25



LEGEND:

- CCR = CERTIFIED CORNER RECORD
- C/L = CENTERLINE
- CONC. = CONCRETE
- Δ = DELTA (CENTRAL ANGLE)
- DE = DRAINAGE EASEMENT
- E = EASTING
- FND. = FOUND
- L = LENGTH OF ARC
- LAE = LIMITED ACCESS EASEMENT
- LB = LICENSED BUSINESS
- N = NORTHING
- (NR) = NON-RADIAL
- NT = NON-TANGENT
- NAD = NORTH AMERICAN DATUM
- ORB = OFFICIAL RECORDS BOOK
- PG. = PAGE
- PBCR = PALM BEACH COUNTY RECORDS
- PRM = PERMANENT REFERENCE MONUMENT
- PB = PLAT BOOK
- PC = POINT OF CURVATURE
- PT = POINT OF TANGENCY
- R = RADIUS
- R/W = RIGHT-OF-WAY
- UE = UTILITY EASEMENT
- = SET 4"x4" CONCRETE (PRM) W/ALUMINUM DISC STAMPED "LB 7055 PRM" UNLESS OTHERWISE NOTED.
- = SET NAIL & BRASS DISC STAMPED "LB 7055 PRM" UNLESS OTHERWISE NOTED.



NOTE:

COORDINATES SHOWN ARE GRID COORDINATES DATUM - NAD 83 (1990 ADJUSTMENT)
ZONE = FLORIDA EAST ZONE
LINEAR UNIT = U.S. SURVEY FEET
COORDINATE SYSTEM = 1983 STATE PLANE
TRANSVERSE MERCATOR PROJECTION
ALL DISTANCES ARE GROUND
SCALE FACTOR = 1.00002056
PLAT BEARING = GRID BEARING
GROUND DISTANCE X SCALE FACTOR = GRID DISTANCE



2035 Vista Parkway, West Palm Beach, FL 33411
Phone No. 866.909.2220 www.wginc.com
Cert No. 6091 - LB No. 7055
THIS INSTRUMENT WAS PREPARED BY ERIC MATTHEWS, P.S.M.
PROFESSIONAL SURVEYOR AND MAPPER, LICENSE NO. 6717
FOR THE FIRM: WANTMAN GROUP, INC.