

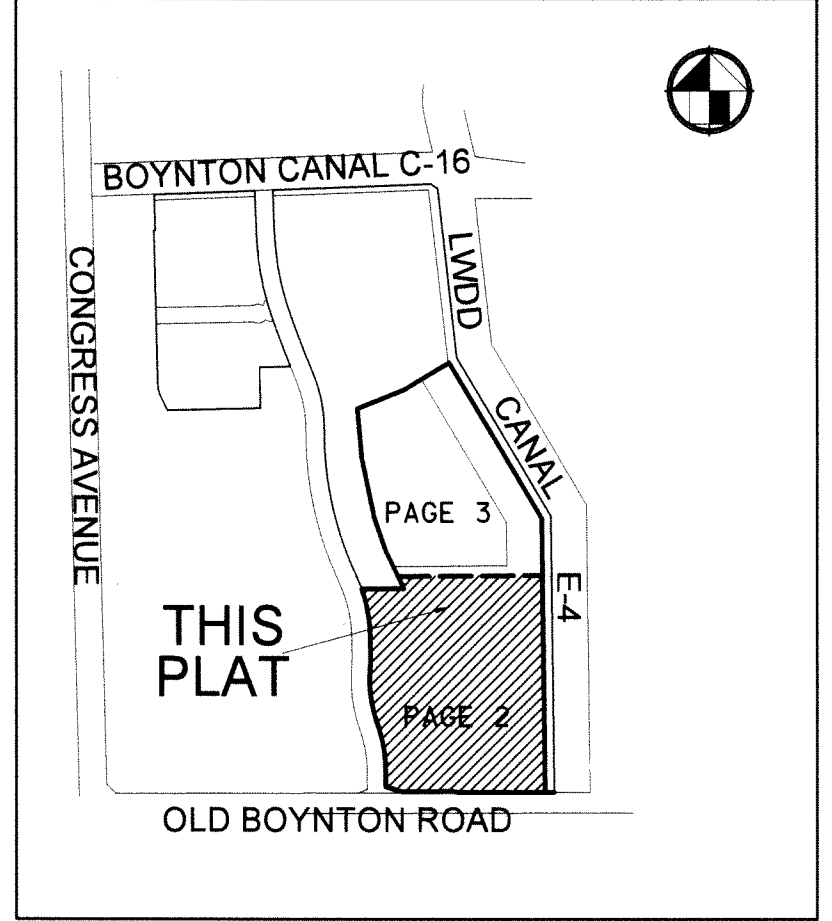
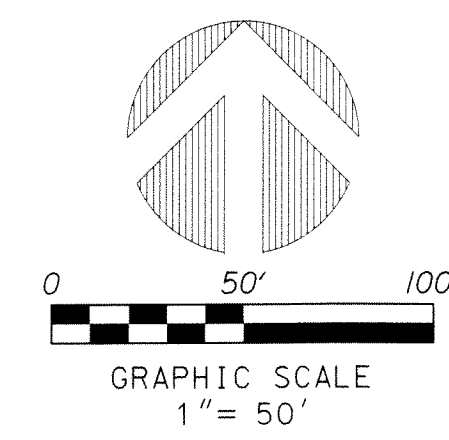
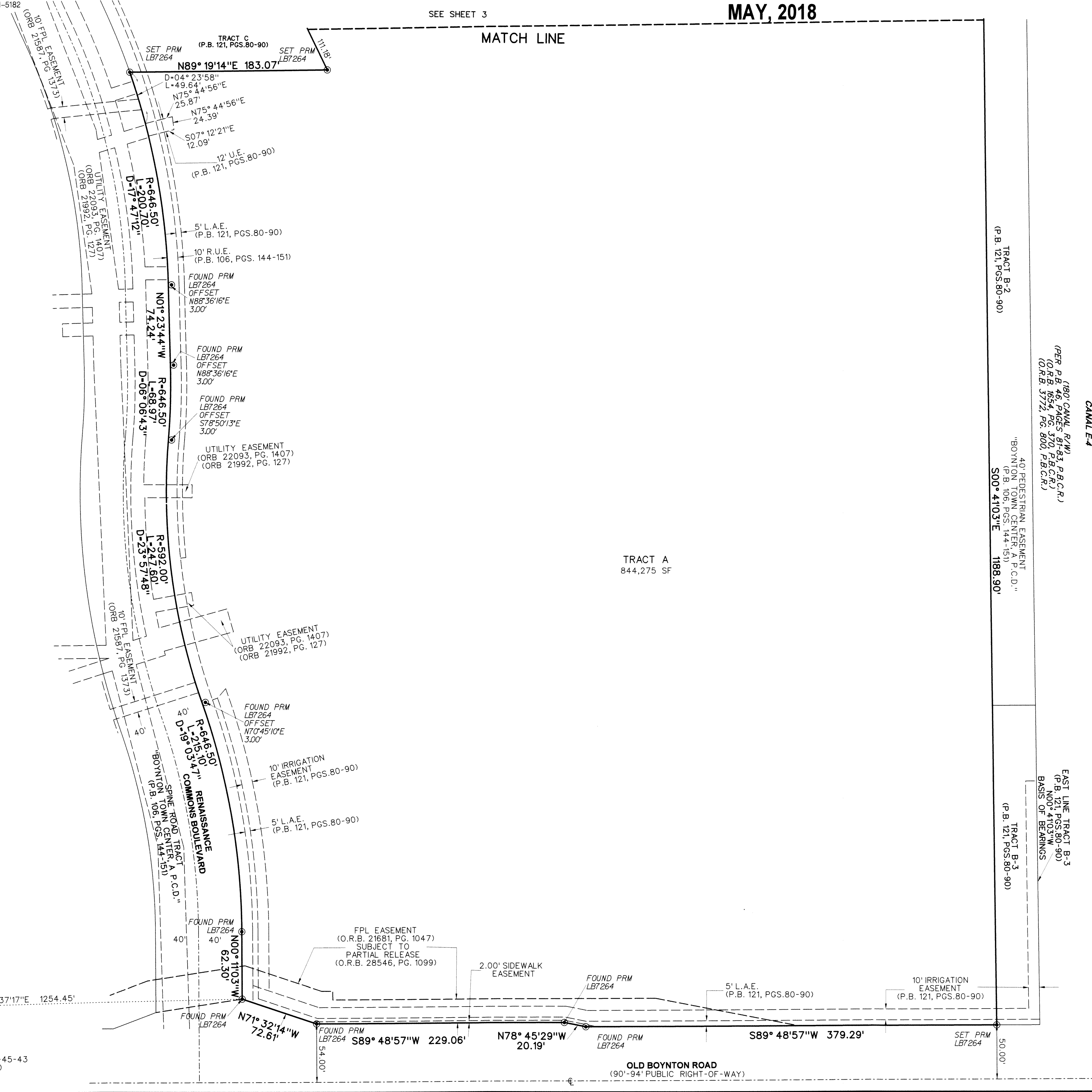
**PERIMETER**  
 SURVEYING & MAPPING  
 Prepared by: Jeff S. Hodapp, P.S.M.  
 Certificate of Authorization No. LB7264  
 947 Clint Moore Road  
 Boca Raton, Florida 33487  
 Tel: (561) 241-9988  
 Fax: (561) 241-5182

# CORTINA PUD REPLAT THREE

A REPLAT OF A PORTION OF "CORTINA PUD REPLAT TWO" (P.B. 121, PGS. 80-90, P.B.C.R.)  
 SECTION 20, TOWNSHIP 45 SOUTH, RANGE 43 EAST  
 CITY OF BOYNTON BEACH, PALM BEACH COUNTY, FLORIDA.  
 MAY, 2018

17

SHEET 2 OF 3



**LOCATION AND KEY MAP**  
 NOT TO SCALE

**TABULAR DATA**

TRACT A	844,275 S.F.
TRACT L	364,898 S.F.
<b>TOTAL</b>	<b>1,209,173 S.F.</b>

- LEGEND:**
- SET P.R.M. (UNLESS OTHERWISE NOTED)-4" x 4" x 24" CONC. MON. WITH ALUMINUM DISK STAMPED LB7264 CENTERLINE
- ABBREVIATIONS:**
- AC. ACRES
  - CD COMMUNITY DEVELOPMENT DISTRICT
  - CHD CHORD
  - CHB CHORD BEARING
  - CONC. CONCRETE
  - COR. CORNER
  - D DELTA (CENTRAL ANGLE)
  - D.E. DRAINAGE EASEMENT
  - L ARCLength
  - L.A.E. LIMITED ACCESS EASEMENT
  - L.B. LICENSED BUSINESS
  - L.B.M. LANDSCAPE BUFFER EASEMENT
  - L.M.E. LAKE MAINTENANCE EASEMENT
  - L.S. LICENSED SURVEYOR
  - L.S.E. LIFT STATION EASEMENT
  - L.W.D. LAKE WORTH DRAINAGE DISTRICT
  - MON. MONUMENT
  - O.R.B. OFFICIAL RECORDS BOOK
  - N.R. NON-RADIAL
  - P.B. PLAT BOOK
  - P.B.C.R. PALM BEACH COUNTY RECORDS
  - PAGE PAGE
  - P.C.P. PERMANENT CONTROL POINT
  - P.L.S. PROFESSIONAL LAND SURVEYOR
  - P.O.B. POINT OF BEGINNING
  - P.O.C. POINT OF COMMENCEMENT
  - P.R.M. PERMANENT REFERENCE MONUMENT
  - P.S.M. PROFESSIONAL SURVEYOR & MAPPER
  - P.U.D. PLANNED UNIT DEVELOPMENT
  - R RADIUS
  - R/W RIGHT-OF-WAY
  - R.U.E. ROAD AND UTILITY EASEMENT
  - SEC. SECTION
  - S.F. SQUARE FEET
  - U.E. UTILITY EASEMENT

TRACT B-2 (P.B. 121, PGS. 80-90)  
 TRACT B-3 (P.B. 121, PGS. 80-90)  
 TRACT B-4 (P.B. 121, PGS. 80-90)  
 TRACT B-5 (P.B. 121, PGS. 80-90)  
 TRACT B-6 (P.B. 121, PGS. 80-90)  
 TRACT B-7 (P.B. 121, PGS. 80-90)  
 TRACT B-8 (P.B. 121, PGS. 80-90)  
 TRACT B-9 (P.B. 121, PGS. 80-90)  
 TRACT B-10 (P.B. 121, PGS. 80-90)  
 TRACT B-11 (P.B. 121, PGS. 80-90)  
 TRACT B-12 (P.B. 121, PGS. 80-90)  
 TRACT B-13 (P.B. 121, PGS. 80-90)  
 TRACT B-14 (P.B. 121, PGS. 80-90)  
 TRACT B-15 (P.B. 121, PGS. 80-90)  
 TRACT B-16 (P.B. 121, PGS. 80-90)  
 TRACT B-17 (P.B. 121, PGS. 80-90)  
 TRACT B-18 (P.B. 121, PGS. 80-90)  
 TRACT B-19 (P.B. 121, PGS. 80-90)  
 TRACT B-20 (P.B. 121, PGS. 80-90)

W. LINE SW/SECTION 20-45-43  
 N01° 22' 43" W  
 1273.74'  
 SW CORNER SECTION 20-45-43 (NOT FOUND)