

BELLA VITA ESTATES REPLAT

BEING A REPLAT OF BELLA VITA ESTATES, AS RECORDED IN PLAT BOOK 111, PAGES 30 AND 31, PUBLIC RECORDS OF PALM BEACH COUNTY, FLORIDA AND LYING IN SECTION 29, TOWNSHIP 43 SOUTH, RANGE 42 EAST, CITY OF WEST PALM BEACH, PALM BEACH COUNTY, FLORIDA.

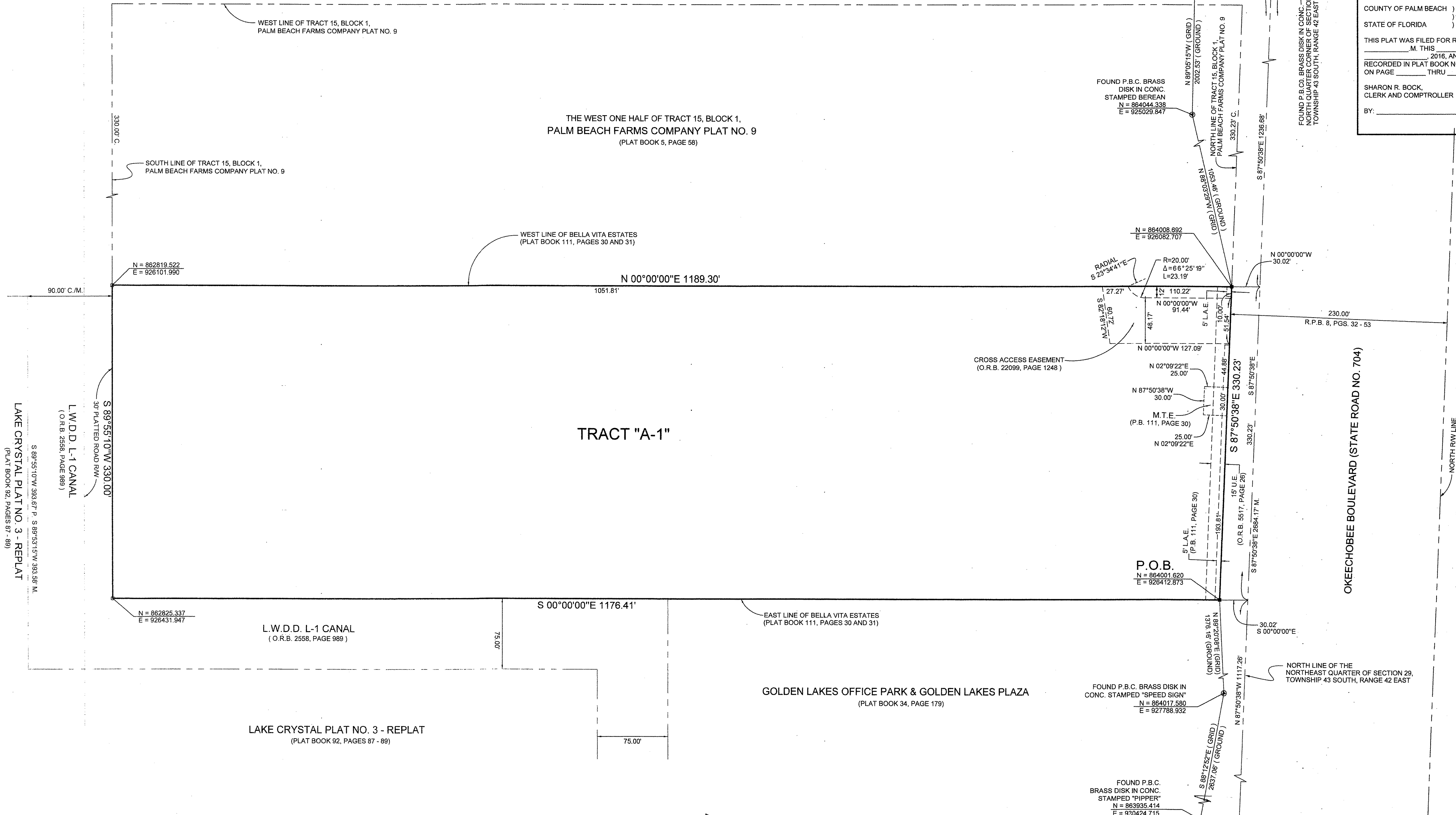
2

COUNTY OF PALM BEACH }
STATE OF FLORIDA } SS

THIS PLAT WAS FILED FOR RECORD AT _____ M. THIS _____ DAY OF _____, 2016, AND DULY RECORDED IN PLAT BOOK NO. _____ ON PAGE _____ THRU _____

SHARON R. BOCK,
CLERK AND COMPTROLLER

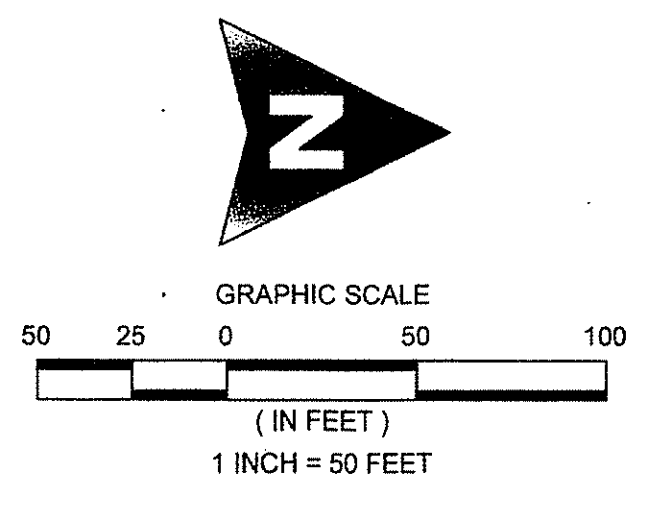
BY: _____, D.C.



COORDINATE NOTE:
STATE PLANE COORDINATES SHOWN ARE GRID DATUM, NAD 83 1990 ADJUSTMENT, FLORIDA EAST ZONE, COORDINATE SYSTEM 1983 STATE PLANE, TRANSVERSE MERCATOR PROJECTION
LINEAR UNIT = US SURVEY FEET
ALL DISTANCES ARE GROUND
SCALE FACTOR = 1.0000247
GROUND DISTANCE X SCALE FACTOR = GRID DISTANCE

S 00°00'00"E (PLAT BEARING) -00°55'44" COUNTER CLOCKWISE ROTATION PLAT TO GRID
S 00°55'44"E (GRID BEARING)

THE EAST BOUNDARY LINE OF PLAT



P.O.C.
FOUND P.B.CO. BRASS DISK IN CONC.
NORTHEAST CORNER OF SECTION 29,
TOWNSHIP 43 SOUTH, RANGE 42 EAST

SHEET 2 OF 2



MICHAEL B. SCHORAH & ASSOCIATES, INC.
1850 FOREST HILL BLVD., SUITE 208
WEST PALM BEACH, FLORIDA 33406
EB# 2438 TEL. (561) 968-0080 FAX. (561) 642-9726 LB# 2438

BELLA VITA ESTATES REPLAT