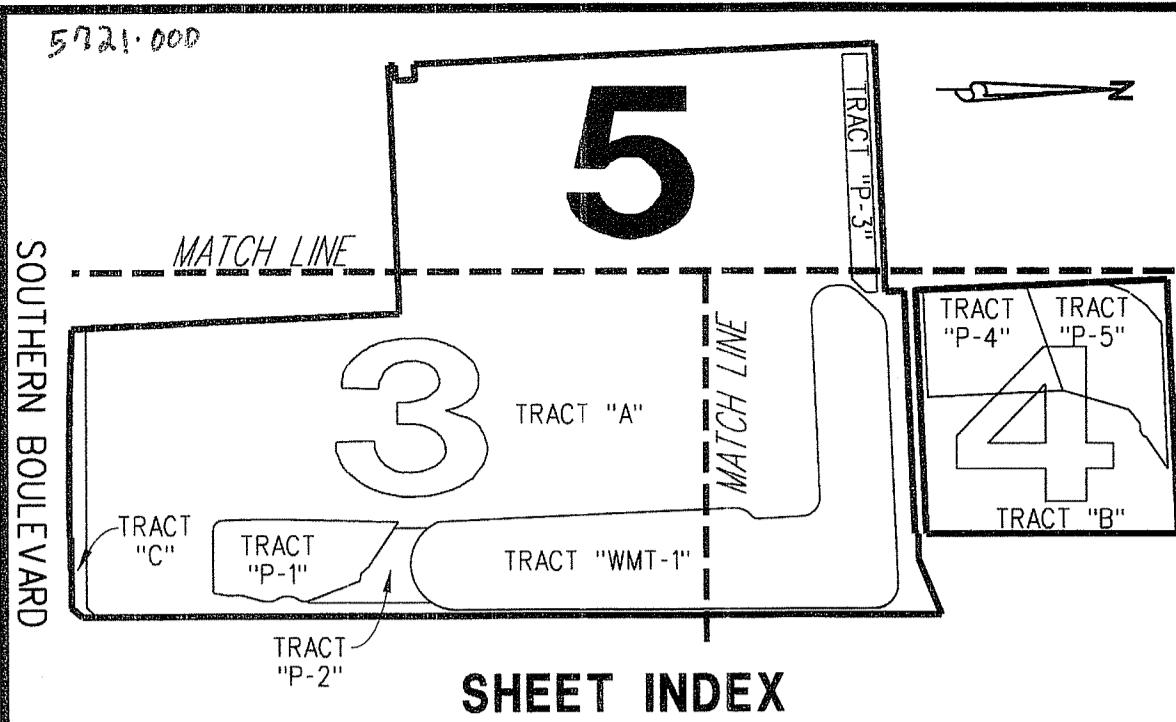
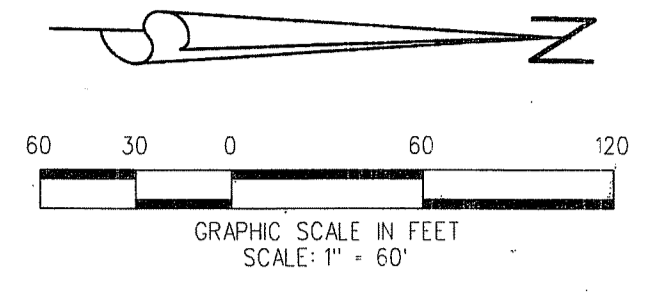
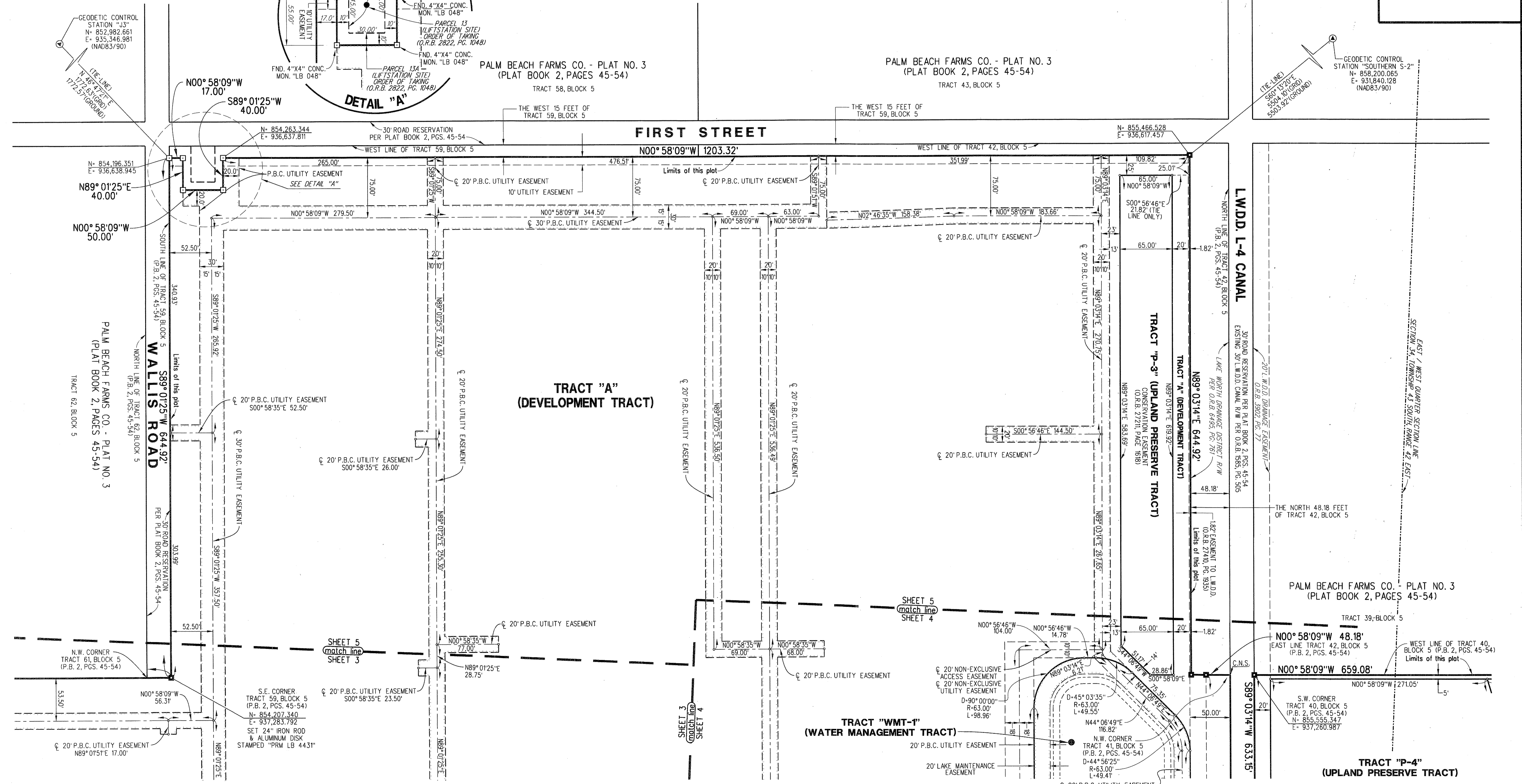
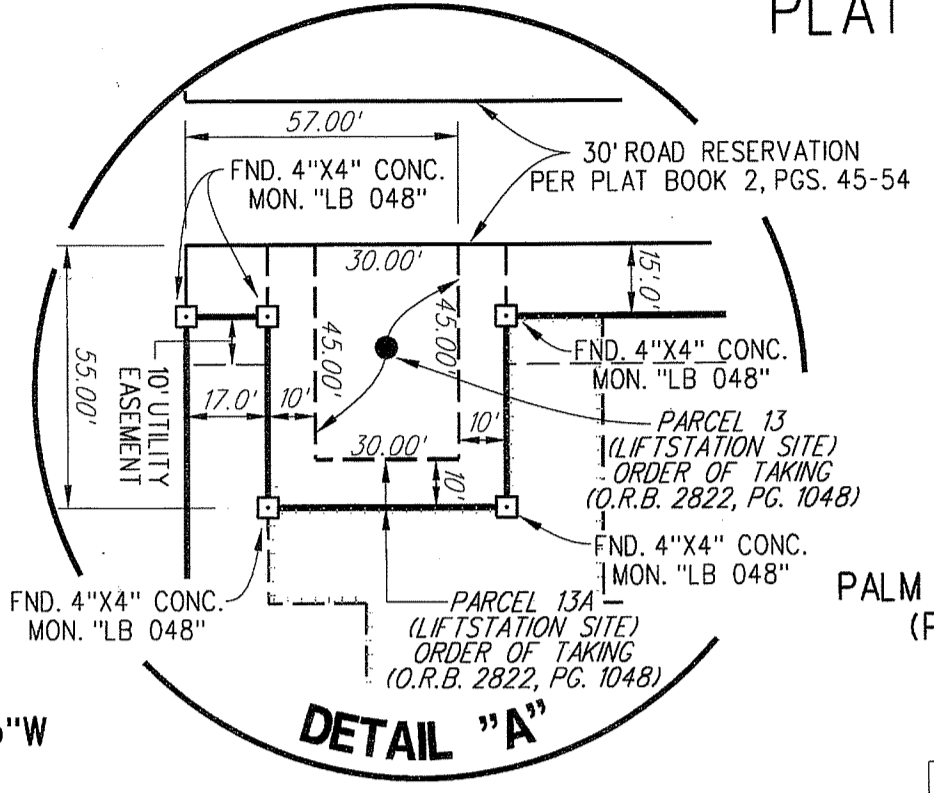


SOUTHERN LIGHT INDUSTRIAL PARK, A M.U.P.D.

BEING A PORTION OF SECTION 34, TOWNSHIP 43 SOUTH, RANGE 42 EAST, PALM BEACH COUNTY, FLORIDA AND A REPLAT OF ALL OF TRACTS 40, 41 AND 60 OF BLOCK 5 AND A REPLAT OF PORTIONS OF TRACTS 42, 59 AND 61 OF BLOCK 5, AS SHOWN ON THE PLAT OF THE PALM BEACH FARMS CO. PLAT NO. 3, RECORDED IN PLAT BOOK 2, PAGE 45, PUBLIC RECORDS OF PALM BEACH COUNTY, FLORIDA



SHEET 5 OF 5



LEGEND:

- DENOTES PERMANENT REFERENCE MONUMENT (P.R.M.) SET 4"x4" CONCRETE MONUMENT WITH DISK STAMPED "PRM LB4431" UNLESS OTHERWISE NOTED
- DENOTES LIMITS OF PALM BEACH COUNTY UTILITY EASEMENT

LIDBERG LAND SURVEYING, INC.
 675 West Indiantown Road, Suite 200, Jupiter, Florida 33458 TEL. 561-746-8454

CAD.	K:\UST \ 344342 \ 12-0598-306 \ 12-0598-306.DGN		
REF.			
FLD.		PG.	JOB 12-0598-306
OFF.	CASASUS		DATE OCTOBER 2014
CKD.	D.C.L.	SHEET 5 OF 5	DWG. 012-059P