

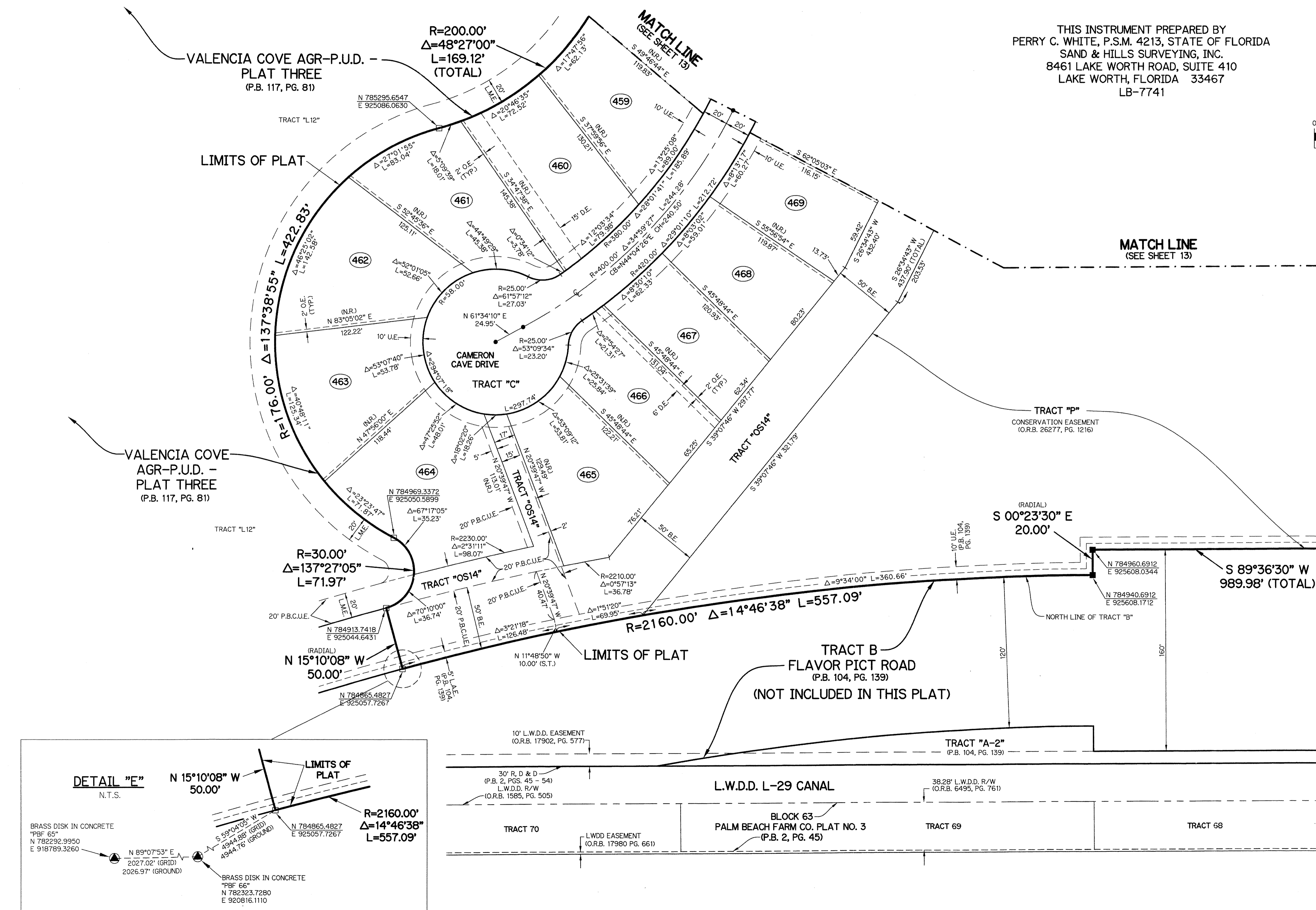
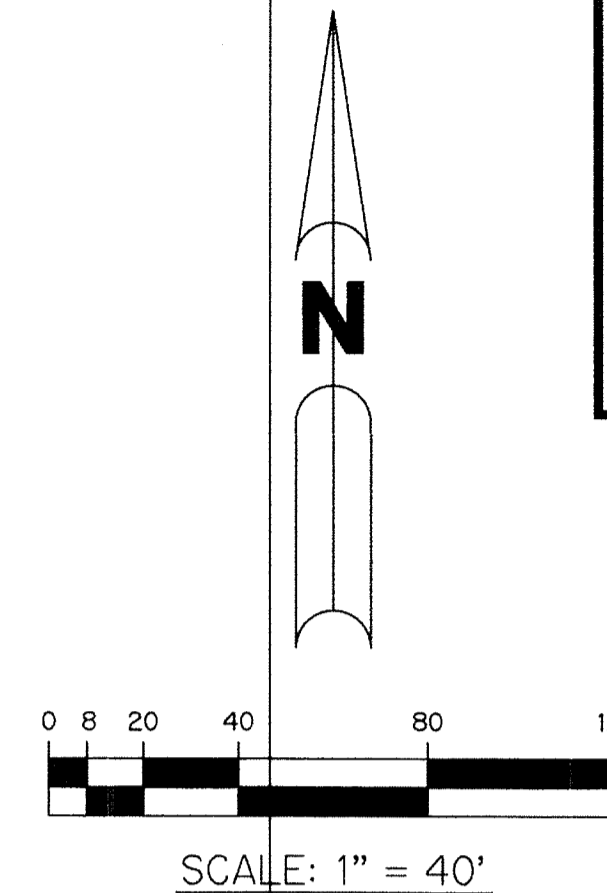
VALENCIA COVE AGR-P.U.D. - PLAT SEVEN

BEING A REPLAT OF A PORTION OF TRACT "A-1", CANYON SPRINGS PRESERVE PLAT NO. 2, AS RECORDED IN PLAT BOOK 107, PAGES 105 THROUGH 107, TRACT "A-1", CANYON ISLES PRESERVE PLAT ONE, AS RECORDED IN PLAT BOOK 104, PAGES 139 THROUGH 140, A PORTION OF TRACTS 8 THROUGH 16, BLOCK 63 AND A PORTION OF A ROAD, DYKE AND DITCH RESERVATION, BLOCK 63, ALL ACCORDING TO PALM BEACH FARMS CO. PLAT NO. 3, AS RECORDED IN PLAT BOOK 2, PAGES 45 THROUGH 54, ALL OF THE PUBLIC RECORDS, PALM BEACH COUNTY, FLORIDA, LYING IN SECTION 5, TOWNSHIP 46 SOUTH, RANGE 42 EAST, PALM BEACH COUNTY, FLORIDA.

SHEET 14 OF 17

49

THIS INSTRUMENT PREPARED BY
PERRY C. WHITE, P.S.M. 4213, STATE OF FLORIDA
SAND & HILLS SURVEYING, INC.
8461 LAKE WORTH ROAD, SUITE 410
LAKE WORTH, FLORIDA 33467
LB-7741



- LEGEND:**
- - SET PERMANENT REFERENCE MONUMENT 4"x4" CONCRETE MONUMENT WITH 1.5" DISK STAMPED L.B. #7741
 - - FOUND PERMANENT REFERENCE MONUMENT 4"x4" CONCRETE MONUMENT WITH 1.5" DISK STAMPED L.B. #7741 (UNLESS OTHERWISE NOTED)
 - - SET PERMANENT CONTROL POINT NAIL WITH 1.25" DISK STAMPED L.B. #7741
 - - FOUND PERMANENT CONTROL POINT NAIL WITH 1.25" DISK STAMPED L.B. #7741
 - AGR - AGRICULTURAL
 - Δ - DELTA ANGLE
 - B.E. - BUFFER EASEMENT
 - CB - CHORD BEARING
 - CH - CHORD DISTANCE
 - C - CENTERLINE
 - D.B. - DEED BOOK
 - D.E. - DRAINAGE EASEMENT
 - F.P.L. - FLORIDA POWER & LIGHT
 - L - ARC LENGTH
 - L.A.E. - LIMITED ACCESS EASEMENT
 - L.M.A.E. - LAKE MAINTENANCE ACCESS EASEMENT
 - L.M.E. - LAKE MAINTENANCE EASEMENT
 - L.W.D.D. - LAKE WORTH DRAINAGE DISTRICT
 - NR - NOT RADIAL
 - NT.S. - NOT TO SCALE
 - O.R.B. - OFFICIAL RECORD BOOK
 - O.E. - MAINTENANCE & ROOF OVERHANG EASEMENT
 - P.B.C.U.E. - PALM BEACH COUNTY UTILITY EASEMENT
 - P.B. - PLAT BOOK
 - P.C.P. - PERMANENT CONTROL POINT
 - PGS. - PAGES
 - P.O.B. - POINT OF BEGINNING
 - P.O.C. - POINT OF COMMENCEMENT
 - P.S.M. - PROFESSIONAL SURVEYOR AND MAPPER
 - P.U.D. - PLANNED UNIT DEVELOPMENT
 - R - RADIUS
 - RAD - RADIAL
 - R/W - RIGHT-OF-WAY
 - R.D. & D. - ROAD, DYKE AND DITCH RESERVATION
 - S.T. - SURVEY TIE
 - U.E. - UTILITY EASEMENT
- N 1000000.0000
E 1000000.0000 - DENOTES STATE PLANE COORDINATES

