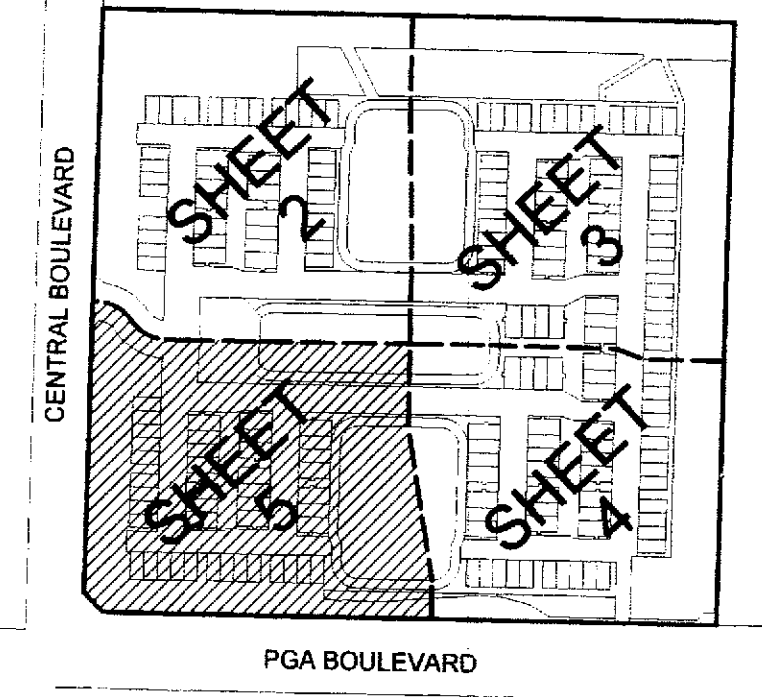
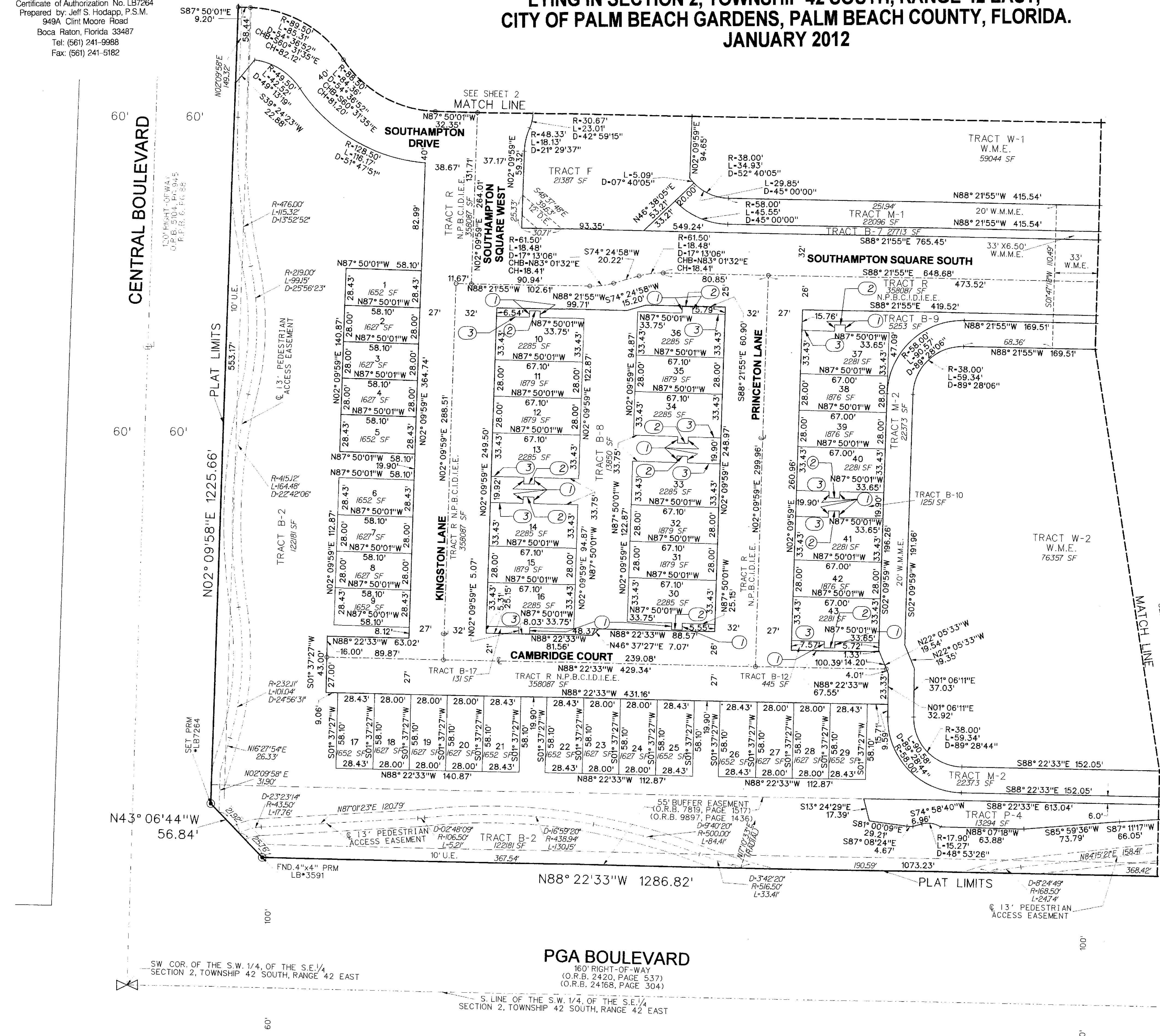
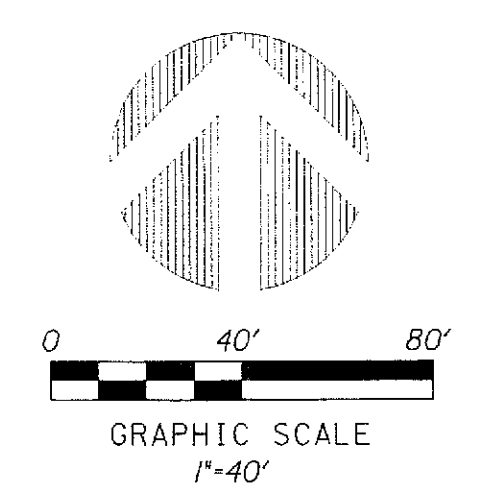


PERIMETER

SURVEYING & MAPPING
Certificate of Authorization No. LB7264
Prepared by: Jeff S. Hodapp, P.S.M.
949A Clint Moore Road
Boca Raton, Florida 33487
Tel: (561) 241-9988
Fax: (561) 241-5182

SOUTHAMPTON 2 REPLAT

A REPLAT OF ALL OF "SOUTHAMPTON 2", (P.B. 107, PGS 123-131, P.B.C.R.)
LYING IN SECTION 2, TOWNSHIP 42 SOUTH, RANGE 42 EAST,
CITY OF PALM BEACH GARDENS, PALM BEACH COUNTY, FLORIDA.
JANUARY 2012



LOCATION MAP
NOT TO SCALE

LINE TABLE

1.	N02°09'59"E	5.00'
2.	N87°50'01"W	8.20'
3.	N87°50'01"W	25.15'

LEGEND:

- SET P.R.M. (UNLESS OTHERWISE NOTED) 4" DIAMETER ALUMINUM DISK IN CONC. MON. STAMPED LB7264
- PERMANENT CONTROL POINT
- CENTERLINE
- LINE TABLE DESIGNATION

ABBREVIATIONS:

AC.	ACRES
B.E.	BUFFER EASEMENT
CH	CHORD
CHB	CHORD BEARING
CONC.	CONCRETE
COR.	CORNER
D	DELTA (CENTRAL ANGLE)
D.E.	DRAINAGE EASEMENT
I.E.E.	INGRESS-EGRESS EASEMENT
I.R.	IRON ROD
I.R.C.	IRON ROD AND CAP
L	ARLENGTH
L.A.E.	LIMITED ACCESS EASEMENT
L.B.	LICENSED BUSINESS
L.B.E.	LANDSCAPE BUFFER EASEMENT
L.M.A.E.	LAKE MAINTENANCE ACCESS EASEMENT
L.S.	LICENSED SURVEYOR
L.S.E.	LIFT STATION EASEMENT
MON.	MONUMENT
N.P.B.C.I.D.	NORTHERN PALM BEACH COUNTY IMPROVEMENT DISTRICT
O.E.	OVERHANG EASEMENT
O.R.B.	OFFICIAL RECORDS BOOK
N	NON-RADIAL
P.B.	PLAT BOOK
P.B.C.R.	PALM BEACH COUNTY RECORDS
P.E.	PEDESTRIAN EASEMENT
PAGE	PAGE
P.C.P.	PERMANENT CONTROL POINT
P.O.B.	POINT OF BEGINNING
P.O.C.	POINT OF COMMENCEMENT
P.R.M.	PERMANENT REFERENCE MONUMENT
P.S.M.	PROFESSIONAL SURVEYOR & MAPPER
P.U.D.	PLANNED UNIT DEVELOPMENT
R	RADIUS
R.L.	RADIAL LINE
R/W	RIGHT-OF-WAY
S.E.	SEWER EASEMENT
SEC.	SECTION
S.F.	SQUARE FEET
U.E.	UTILITY EASEMENT
W.M.E.	WATER MANAGEMENT EASEMENT
W.M.M.E.	WATER MANAGEMENT MAINTENANCE EASEMENT
W.S.E.	WATER AND SEWER EASEMENT