

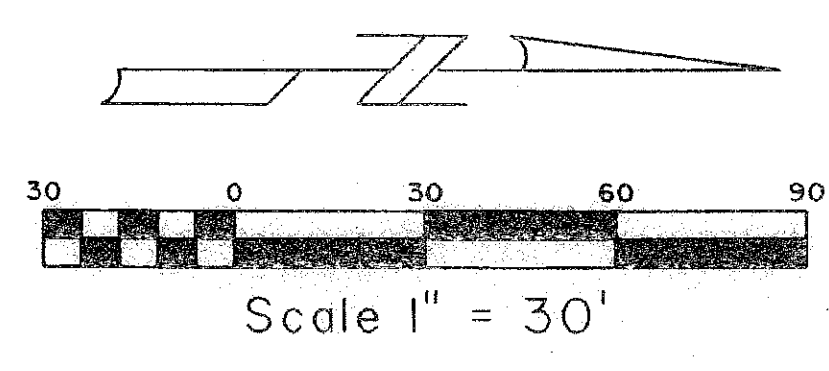
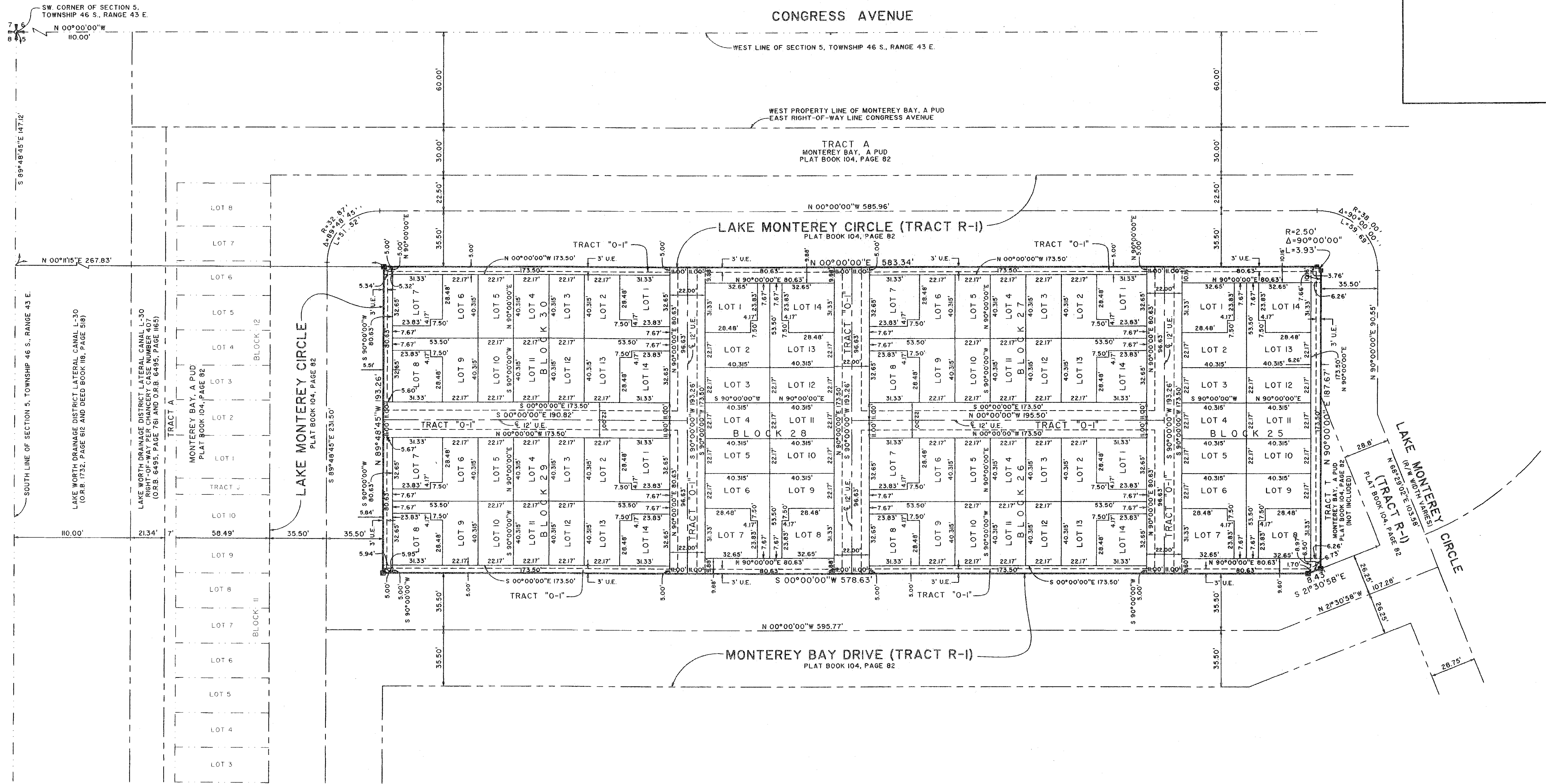
# MONTEREY BAY - TRACT C-1

AUGUST 2009

A PORTION OF A PLANNED UNIT DEVELOPMENT  
 LYING IN SECTION 5, TOWNSHIP 46 SOUTH, RANGE 43 EAST,  
 CITY OF BOYNTON BEACH, PALM BEACH COUNTY, FLORIDA,  
 BEING A REPLAT OF TRACT C-1, MONTEREY BAY, A PUD, AS RECORDED IN PLAT  
 BOOK 104, PAGES 82 THRU 88, PUBLIC RECORDS OF PALM BEACH COUNTY, FLORIDA.

CONGRESS AVENUE

16



SHEET 2 OF 2

**MICHAEL B. SCHORAH & ASSOCIATES, INC.**  
 ENGINEERS • DEVELOPMENT CONSULTANTS • PLANNERS  
 TEL. (561) 968-0080 L.B. #2438 FAX. (561) 642-9726  
 1850 FOREST HILL BLVD.  
 WEST PALM BEACH, FLORIDA 33406

MONTEREY BAY - TRACT C-1