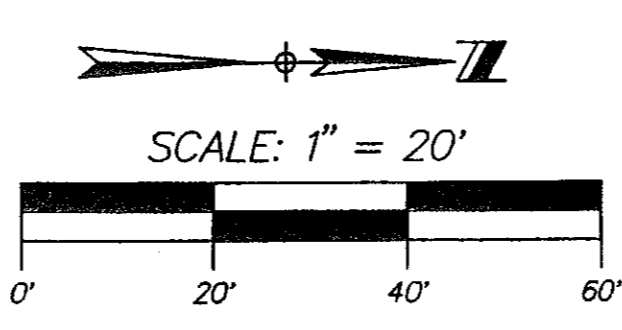


COUNTY OF PALM BEACH
STATE OF FLORIDA
THIS PLAT WAS FILED FOR RECORD AT _____
THIS _____ DAY OF _____
20_____, AND DULY RECORDED IN PLAT BOOK NO. _____
ON PAGE _____
SHARON R. BOCK, CLERK OF CIRCUIT COURT
AND COMPTROLLER.
BY _____ D.C.

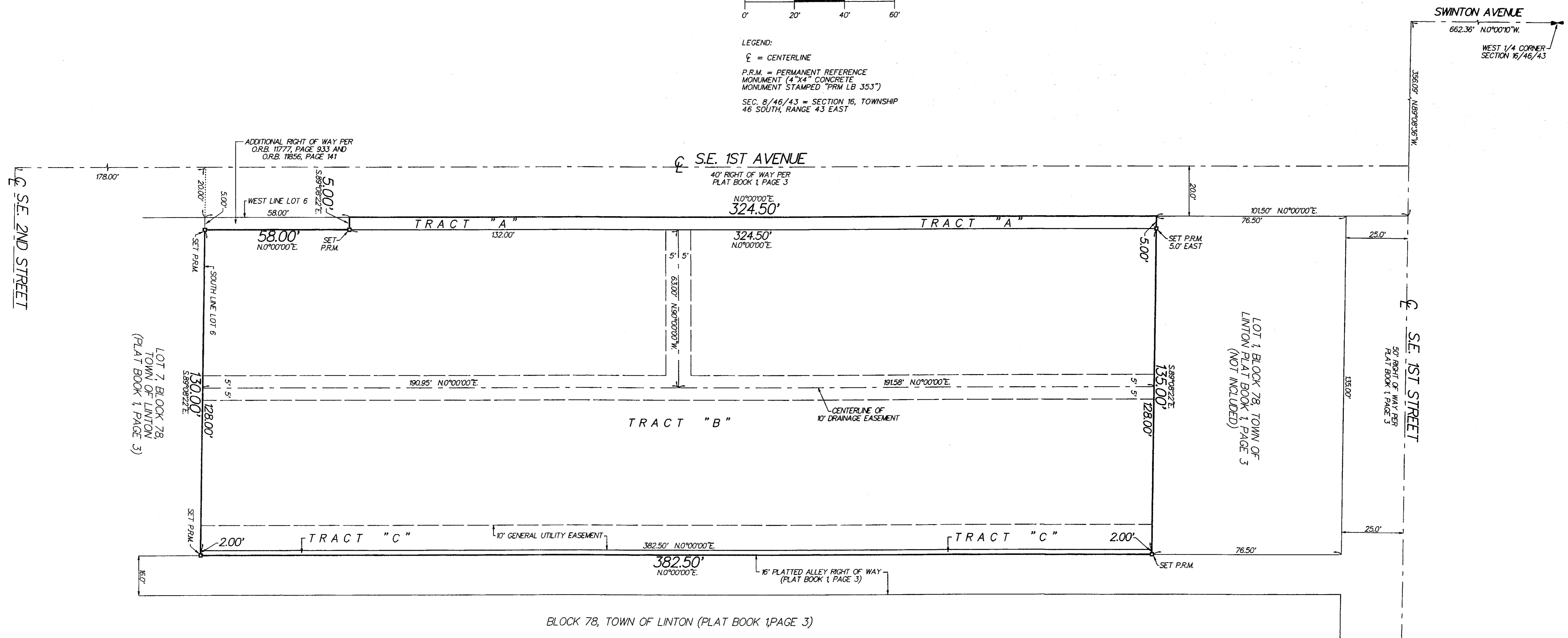
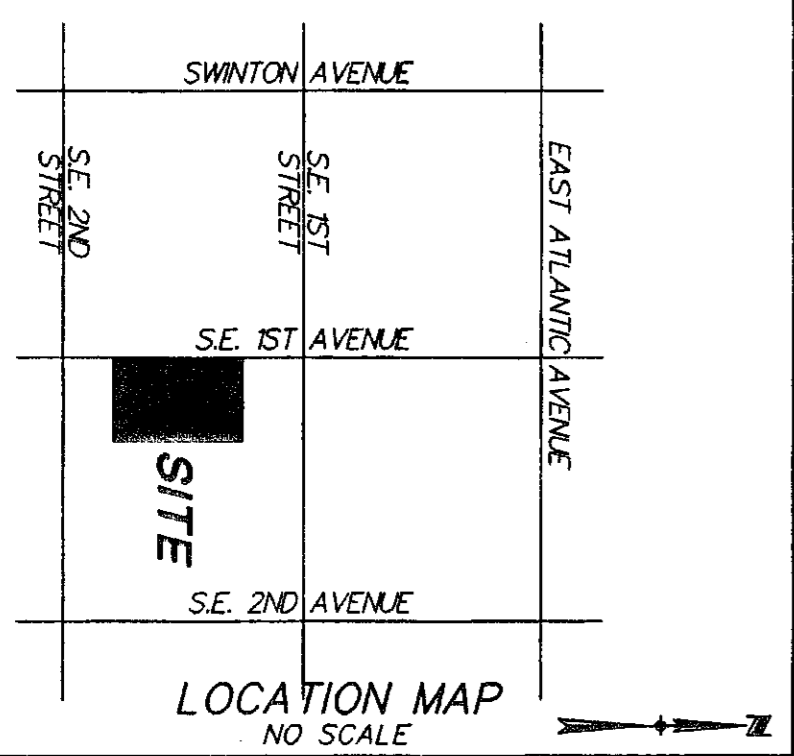
MIRAFLORES AT DELRAY

BEING A REPLAT OF LOTS 2, 3, 4, 5 AND A PORTION
OF LOT 6, BLOCK 78, TOWN OF LINTON (NOW DELRAY BEACH),
PLAT BOOK 1, PAGE 3, PUBLIC RECORDS OF PALM BEACH
COUNTY, FLORIDA, BEING IN SECTION 16, TOWNSHIP 46 SOUTH,
RANGE 43 EAST, CITY OF DELRAY BEACH, PALM BEACH
COUNTY, FLORIDA.

SHEET 2 OF 2
JANUARY, 2006



LEGEND:
CL = CENTERLINE
P.R.M. = PERMANENT REFERENCE
MONUMENT (4"x4" CONCRETE
MONUMENT STAMPED "PRM LB 353")
SEC. 8/46/43 = SECTION 16, TOWNSHIP
46 SOUTH, RANGE 43 EAST



BLOCK 78, TOWN OF LINTON (PLAT BOOK 1, PAGE 3)