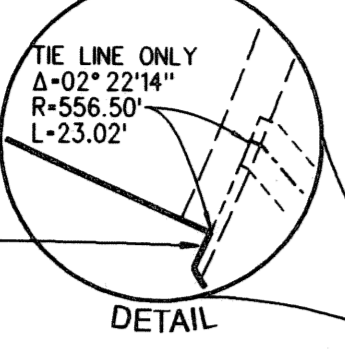


53

NUMBER	DELTA ANGLE	RADIUS	ARC LENGTH
C7	63° 49' 25"	98.00	109.17
C8	38° 23' 34"	57.00	38.19
C9	39° 31' 10"	98.00	67.59

ROADWAY TRACT "A3"

R=466.50'
 $\Delta=34^\circ 35' 12''$
 L=281.60'
 CB=S06° 59' 19" W

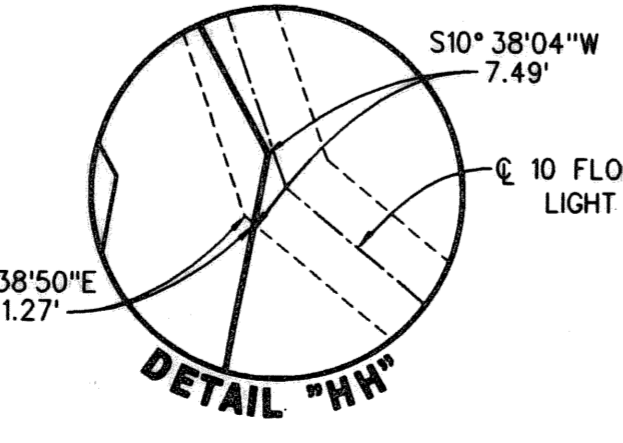
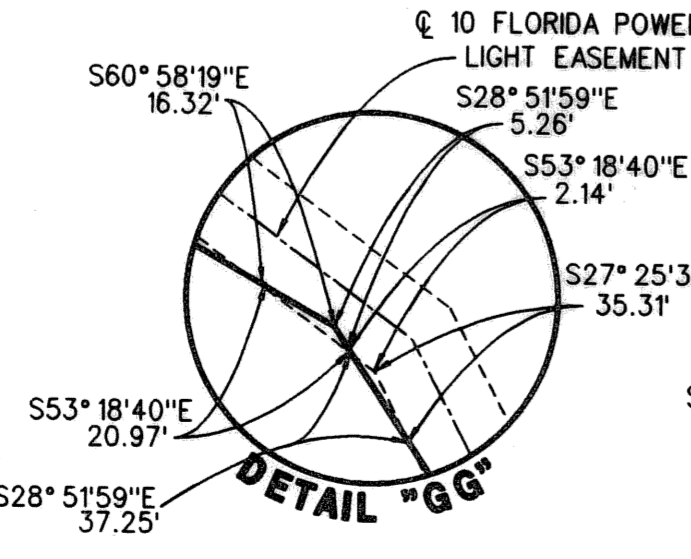
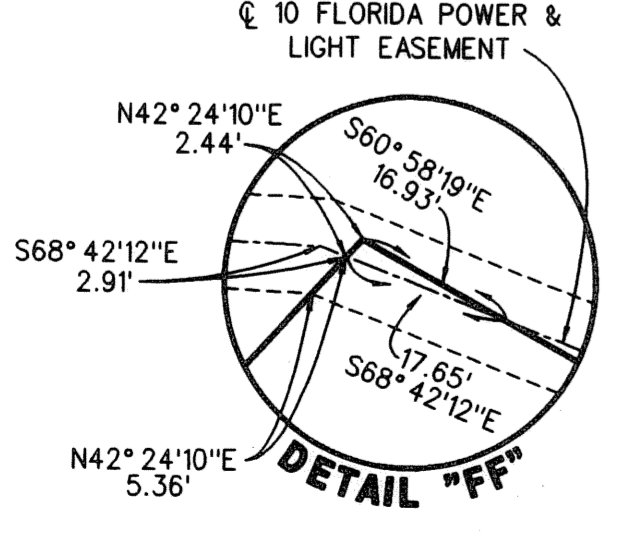


ROADWAY TRACT "A3"

R=393.50'
 $\Delta=59^\circ 35' 23''$
 L=409.25'
 CB=S05° 30' 47" E

RITZ-CARLTON GOLF CLUB
 & SPA, JUPITER, A P.U.D.
 (PLAT BOOK 93, PAGE 17)

R=166.50'
 $\Delta=45^\circ 26' 34''$
 L=132.06'
 CB=S12° 35' 11" E



WETLAND 20
 CONSERVATION EASEMENT
 (O.R.B. 12506, PG. 1411)

WETLAND BUFFER 20
 (O.R.B. 12506, PG. 1217)

WETLAND BUFFER 20
 (O.R.B. 12506, PG. 1217)

GOLF COURSE CLUBHOUSE
 TRACT "P1"
 (SEE SHEET 11)

GOLF COURSE
 TRACT "J1"

LAKE N1
 (O.R.B. 12506, PG. 1374)

COTTAGE
 TRACT "P2"
 (SEE SHEET 11)

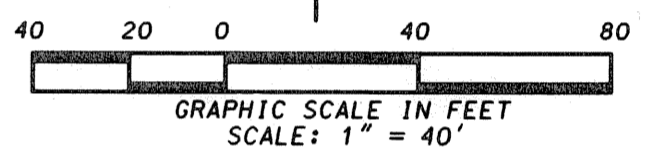
WETLAND SLOUGH 3
 (O.R.B. 12506, PG. 1217)

WETLAND SLOUGH
 BUFFER 3
 (O.R.B. 12506, PG. 1217)

WETLAND SLOUGH 3
 (O.R.B. 12506, PG. 1411)

TRACT "J8"

SECTION 19
 SECTION LINE



GOLF COURSE
 TRACT "J1"

SECTION 19
 SECTION LINE

BEAR'S CLUB REPLAT, A P.U.D.

BEING A REPLAT OF A PORTION OF BEAR'S CLUB, A P.U.D.,
 AS RECORDED IN PLAT BOOK 86, PAGES 122 THROUGH 128,
 AND A PARCEL OF LAND DESCRIBED IN OFFICIAL RECORD BOOK 11237 PAGE 75,
 ALL IN THE PUBLIC RECORDS OF PALM BEACH COUNTY FLORIDA,
 LYING IN SECTIONS 19 & 20, TOWNSHIP 41 SOUTH, RANGE 43 EAST
 TOWN OF JUPITER, PALM BEACH COUNTY, FLORIDA

SHEET 21 OF 21 JULY 2005

**GOLF COURSE CLUBHOUSE & COTTAGE
 TRACTS "P1" AND "P2"
 DETAIL SHEET**

LIDBERG LAND SURVEYING, INC.
 875 West Indian Road, Suite 200,
 Jupiter, Florida 33458 TEL. 561-746-8454

CAD. K:\UST\194143\BEARCLUB\2090306\SHEET21.DGN		JOB 00-209-306	
REF. K:\UST\194143\BEARCLUB\2090306\2090306.DGN		DATE JUNE 2005	
FLD. B.D.	FB. PG.	DWG. D00-209P	
OFF. R.W. & E.C.	SHEET 21 OF 21		
CKD. D.C.L.			

WETLAND SLOUGH
 BUFFER 3