

STATE OF FLORIDA  
COUNTY OF PALM BEACH

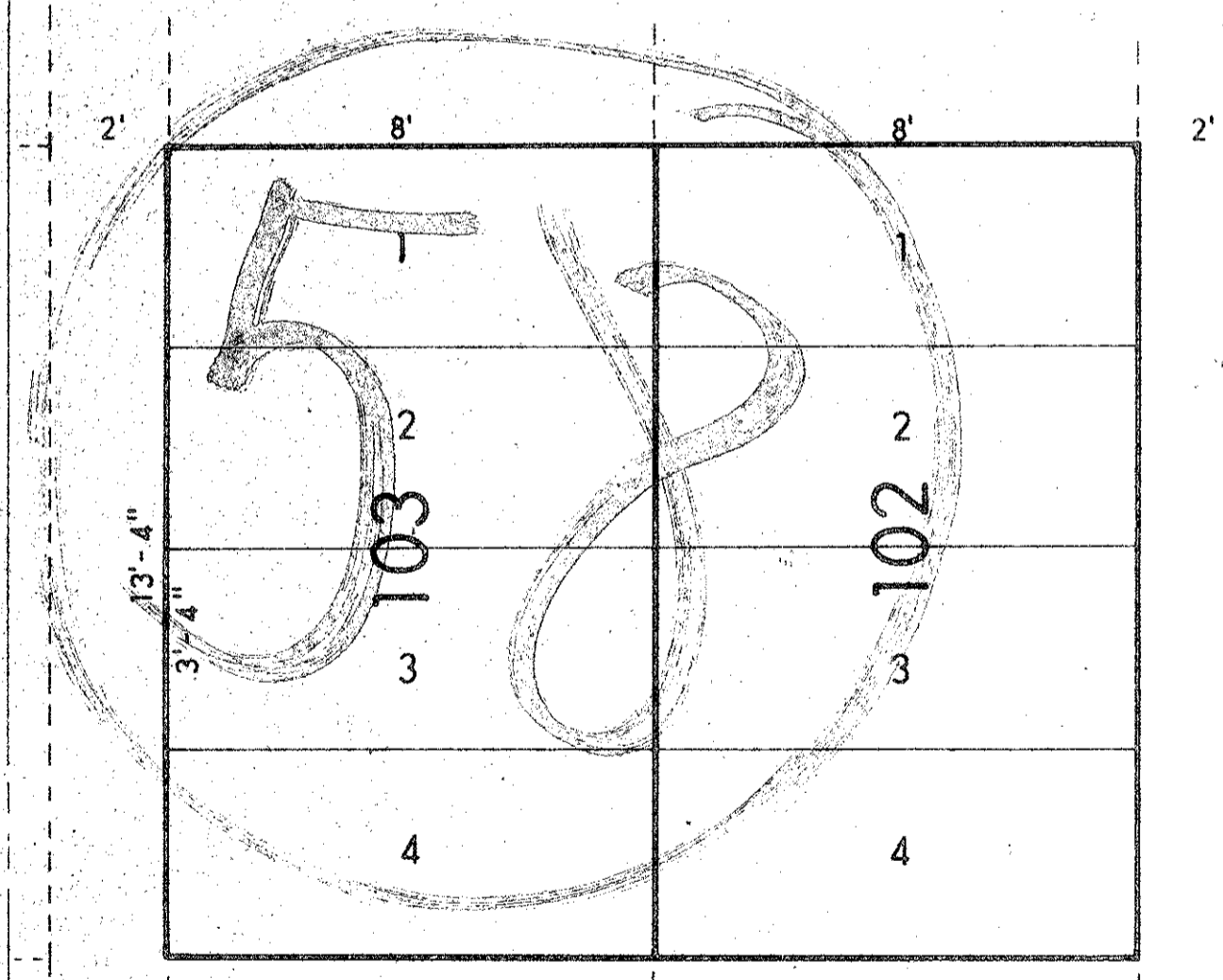
NORTHEAST CORNER  
OF  
SHALOM MEMORIAL  
PARK  
PLAT BOOK 31  
PAGE 194-195

THIS PLAT WAS FILED  
FOR RECORD AT \_\_\_\_\_ M,  
THIS \_\_\_\_\_ DAY OF \_\_\_\_\_  
19\_\_\_\_, AND DULY  
RECORDED IN PLAT  
BOOK NO. \_\_\_\_\_ ON  
PAGE \_\_\_\_\_ JOHN B  
DUNKLE, CLERK OF THE  
CIRCUIT COURT BY \_\_\_\_\_, DC.

03+54.66	03+41.33	03+28	03+14.67	02+91.33	02+78	02+64.66	02+51.33	02+38	02+24.66	02+11.33	01+98	01+84.66	01+71.33	01+58	01+44.66	01+31.33	01+18	01+04.67	00+94.66	00+81.33	00+68	00+54.67	00+41.34	00+28.00	00+14.67	00+01.34	00+00										
05+42	05+22	05+00	04+78	04+56	04+34	04+16	03+98	03+80	03+62	03+44	03+26	03+08	02+90	02+72	02+54	02+36	02+18	02+00	01+82	01+64	01+46	01+28	01+10	00+92	00+73	00+54	00+36	00+18	00+00								
137	136	135	134	133	132	131	130	129	128	127	126	125	124	123	122	121	120	119	118	117	116	115	114	113	112	111	110	109	108	107	106	105	104	103	102	101	100
357	356	355	354	353	352	351	350	349	348	347	346	345	344	343	342	341	340	339	338	337	336	335	334	333	332	331	330	329	328	327	326	325	324	323	322	321	320
257	256	255	254	253	252	251	250	249	248	247	246	245	244	243	242	241	240	239	238	237	236	235	234	233	232	231	230	229	228	227	226	225	224	223	222	221	220
157	156	155	154	153	152	151	150	149	148	147	146	145	144	143	142	141	140	139	138	137	136	135	134	133	132	131	130	129	128	127	126	125	124	123	122	121	120
57	56	55	54	53	52	51	50	49	48	47	46	45	44	43	42	41	40	39	38	37	36	35	34	33	32	31	30	29	28	27	26	25	24	23	22	21	20

FIRST ADDITION  
**GARDEN OF RUEBEN**  
A REPLAT OF A PORTION OF  
"SHALOM MEMORIAL PARK" IN  
SECTION 14, TOWNSHIP 42  
SOUTH, RANGE 41 EAST, PALM  
BEACH COUNTY, FLORIDA

APRIL 1976



NOTE: PLOTS 5, 6, 7 APPEAR IN BLOCKS  
800-809 & 2200-2205 ONLY.

TYPICAL PLOT LAYOUT

1000-189