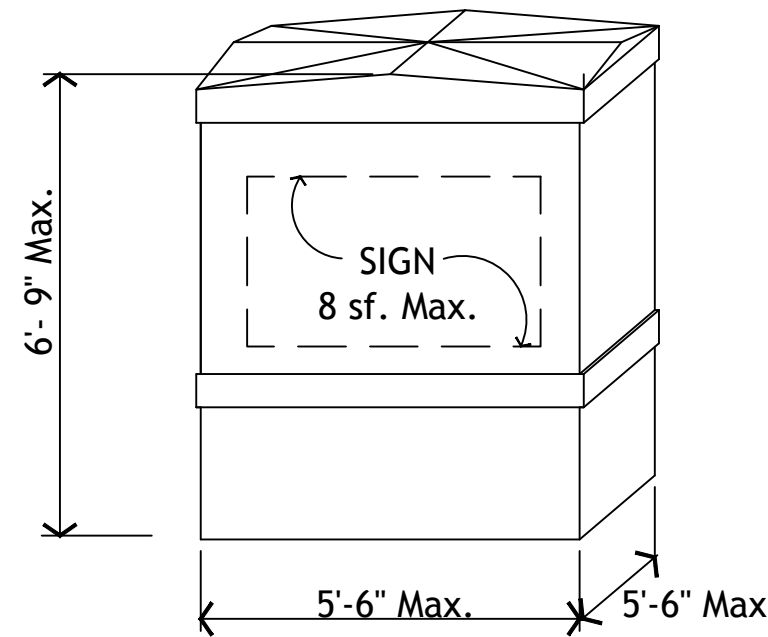


Project Entrance Sign

N.T.S.



On-Site Directional Sign (Pod Entry Sign)

N.T.S.

Indian Trails Grove - Master Sign Plan		
Entrance Signs - Art. 8.G.2.C		
	Permitted	Provided
Max. No.	2 per entrance	2 for every entrance from exterior roads (Total number to be determined)
Sign Face	60 SF	60 SF
Max. Ht.	8 feet	8 feet
Add. Ht. Option	Max. sign height, excluding height of structure to which the sign is attached may be increased up to 10' for a R/W greater than 80' or up to 110', or 12' for a R/W greater than 110'. Subject to a 25' setback.	to be determined
Setback	25 feet if added height	25 feet
Location	Within 100 feet of entrance	Within 100 feet of entrance
On-site Directional Signs - Art. 8.G.3.D		
	Permitted	Provided
Max. No.	N/A	At entrances to Pods; within all Civic Pods; Commercial Pod and Private Recreation
Sign Face	24 SF	Up to 24 SF
Max. Ht.	7 feet	Up to 7 feet
Project ID Sign - Art.8 - Table 8.G.3.E		
	Permitted	Provided
Max. No.	2 per road frontage with PUD access	Min. 6 (2 on 180th Avenue; 2 on 190th Avenue and 2 on 59th Lane North) and 1 at each Private Recreation Pod
Sign Face	24 SF	24 SF
Max. Ht.	6 feet	6 feet
Min. Setback	10 feet	10 feet

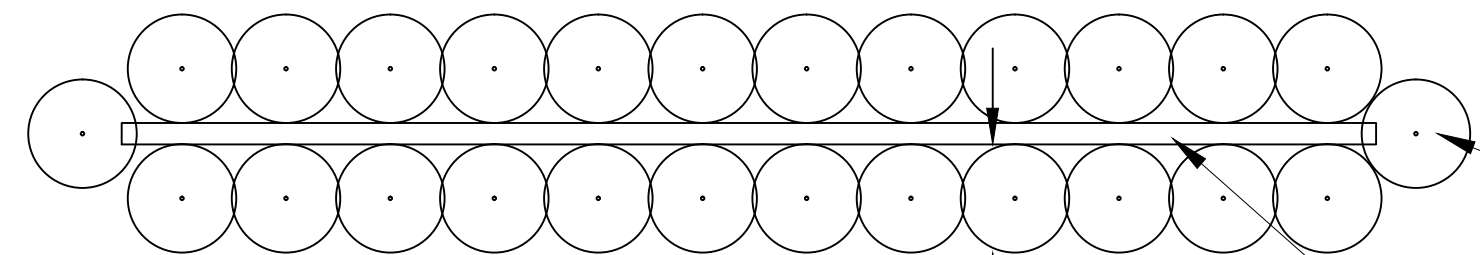
PROJECT IDENTIFICATION SIGN - MONUMENT TYPE - SINGLE FACE PERMITTED  
 MAXIMUM SIGN AREA - 24 SF.  
 MAXIMUM HEIGHT - 6'  
 MINIMUM SETBACK - 10'

NOTE:  
 PER ULDC TABLE 8.G.3.E.14 IF A DECORATIVE BACKGROUND ELEMENT SUCH AS TILE, STUCCO OR OTHER BUILDING MATERIAL OR COLOR IS USED, THE MAXIMUM SIGN FACE AREA FOR SUCH DECORATIVE TREATMENT MAY BE EXPANDED 24 INCHES, MEASURED FROM THE SIGN FACE AREA IN EACH CARDINAL DIRECTION.



Project Identification Sign - Property corners

NTS



FOUNDATION PLANTING  
 A 3' wide planting area shall be provided around base of all free standing signs - one 18" ht. shrub/10 sf. of planting area

Typical Sign Foundation Planting Detail

NTS

Horse Traffic: Horse symbol



18" x 18" (max)



18" x 24" (max)



18" x 24" (max)



24" x 24" (max)

Amendments:

Zoning Stamps:

**PALM BEACH WEST ASSOCIATES I, LLLP**  
 1600 SAWGRASS CORPORATE PKWY SUITE 400  
 SUNRISE, FLORIDA 33323  
 954-753-1730

Consultants:

**CIVIL ENGINEER**  
 GLH Engineering, LLC  
 1600 Sawgrass Corporate Pkwy Suite 400  
 Sunrise, FL 33323  
 954-753-1730

**SURVEYOR**  
 Sand and Hills Survey, Inc.  
 8461 Lake Worth Road, Suite 410  
 Lake Worth, FL 33467  
 (561) 209-6048

**TRAFFIC ENGINEER**  
 Simmons and White  
 2581 Metrocentre Blvd. Suite 3  
 West Palm Beach, FL 33407  
 (561) 478-7848

**PLANNERS**  
 Urban Design Kilday Studios  
 610 Clematis Street, Suite CU02  
 West Palm Beach, FL 33401  
 (561) 366-1100

Project:  
**INDIAN TRAILS GROVE - PUD**

Palm Beach County, Florida

Sheet title:  
**PRELIMINARY Master Sign Plan**

Date:  
**2015-07-15**

Revisions:  
 2015-09-28 Resubmittal  
 2016-01-25 Resubmittal  
 2016-02-22 Resubmittal  
 2016-05-23 Resubmittal  
 2016-08-29 Resubmittal  
 2016-09-26 Resubmittal  
 2016-10-24 Resubmittal  
 2016-11-28 Resubmittal  
 2016-12-15 Resubmittal

Sheet number:  
**PMSP-1**